

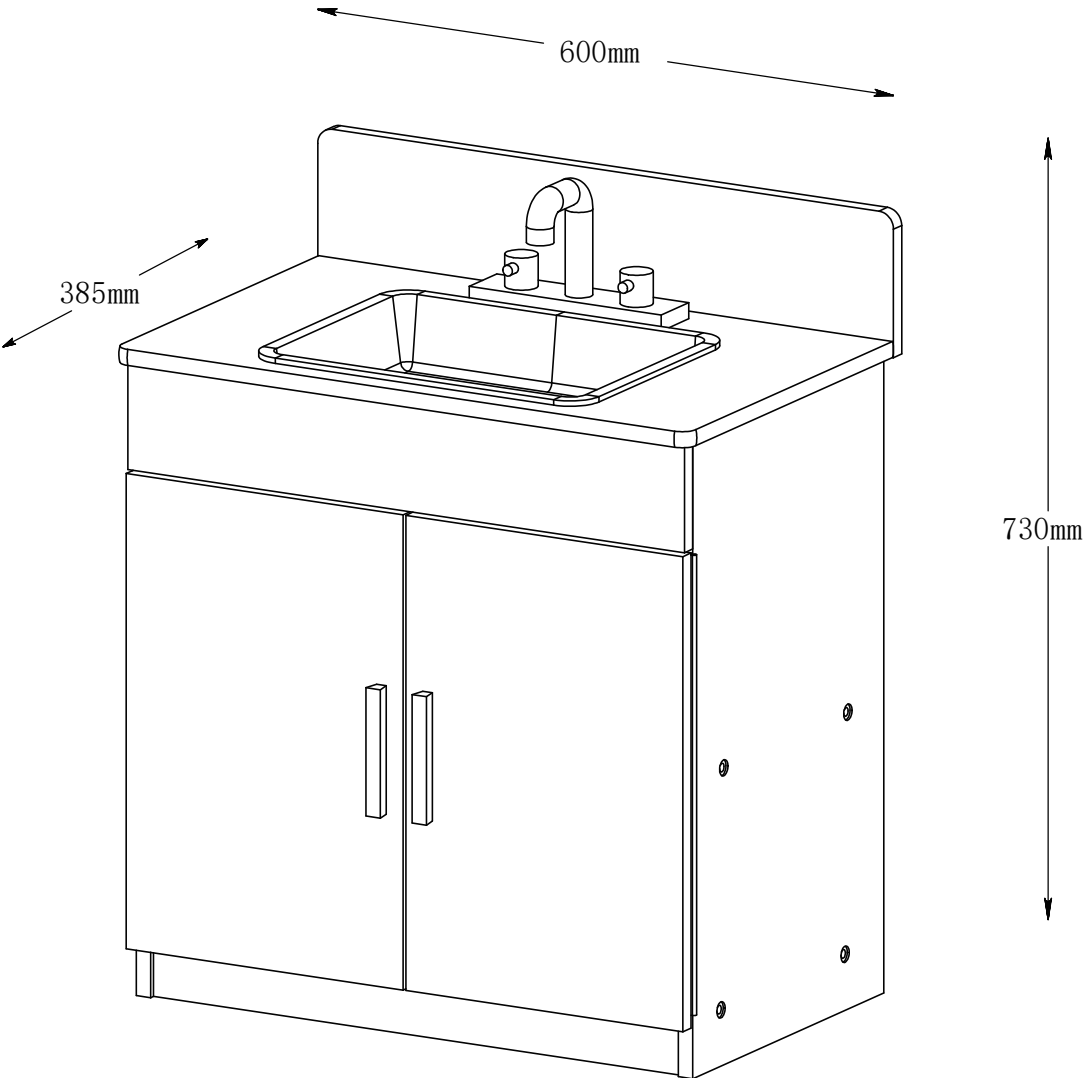
ASSEMBLY INSTRUCTIONS

2 Years +



Dramatic Play

Sink



⚠ WARNING
Adult assembly required due to the presence of small parts, sharp edges and/or sharp points.

ASSEMBLY INSTRUCTIONS

2 Years +



Dramatic Play

Sink

Here's What You Get!

Check shipping box contents against Parts & Hardware List prior to assembly for correct parts and quantities.

If receiving this unit already partially-assembled, please skip to step 8 to complete assembly

Hardware

Quantity	Part Name	Dimensions
20X	A Bolt	M6x25mm
2X	B Allen Key	M4
8X	C Screw	M3.5x12mm
2X	D Screw	M4x15mm
4X	E Bolt	M4x25mm
2X	F Handle	
1X	G Anti-tip Kit	M4x50mm, M4x15mm

WARNING
Adult assembly required due to the presence of small parts, sharp edges and/or sharp points.

ASSEMBLY INSTRUCTIONS

2 Years +



Active Play

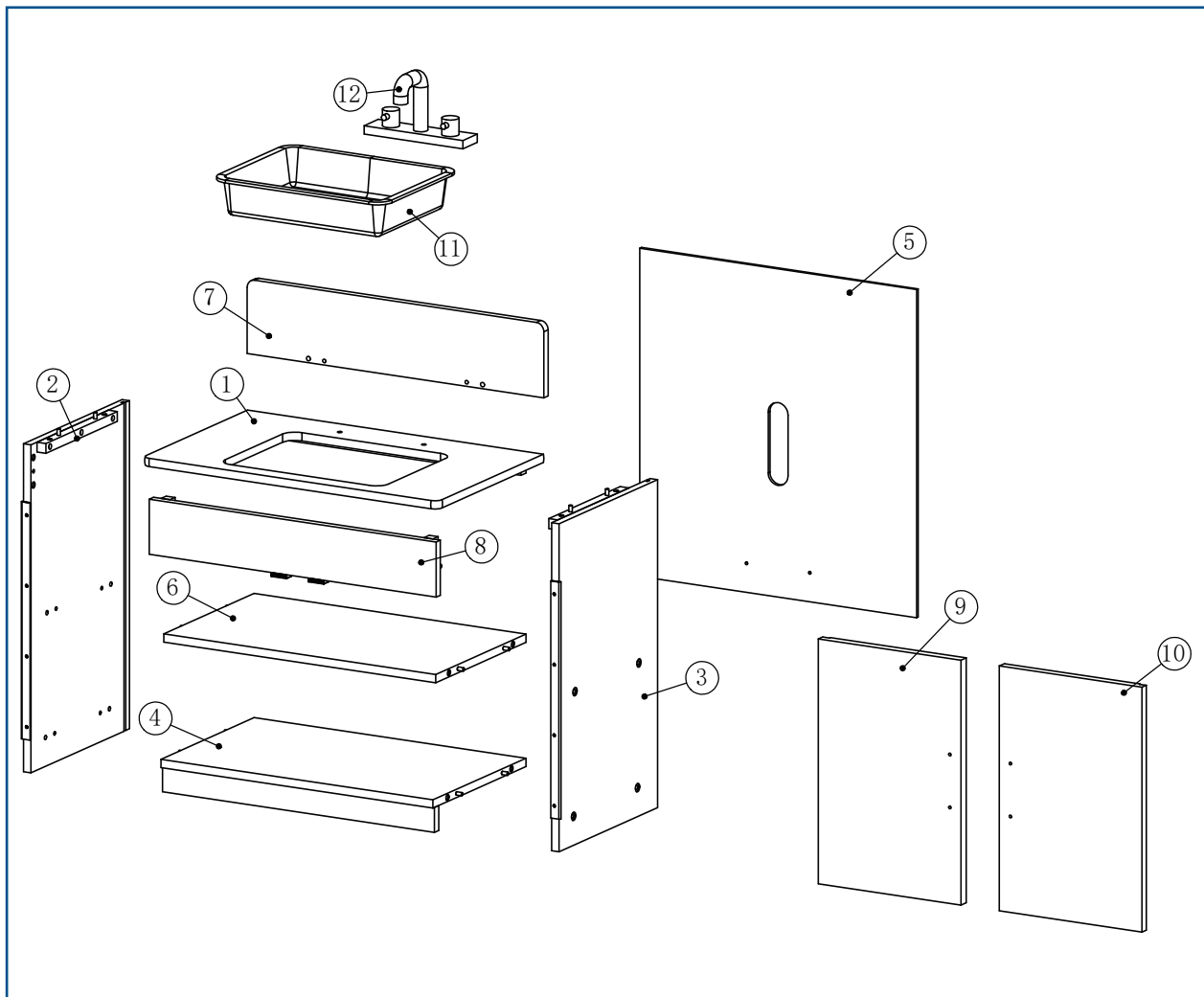
Dramatic
Play

Sink

Here's What You Get! (continued)

Check shipping box contents against Parts & Hardware List prior to assembly for correct parts and quantities.

Parts



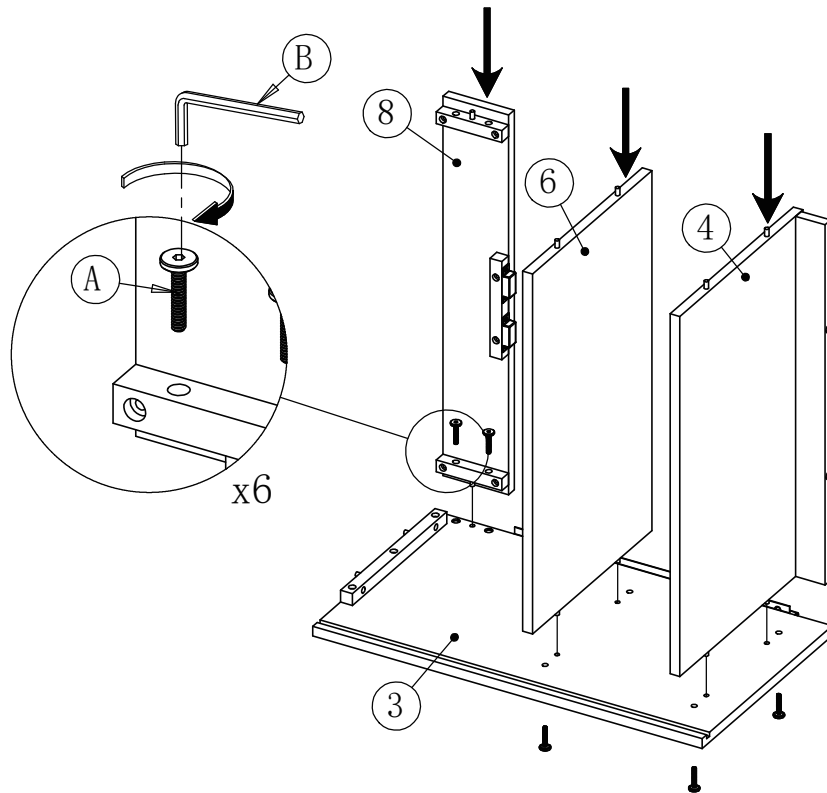
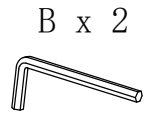
WARNING
Adult assembly required due to the presence of small parts, sharp edges and/or sharp points.

ASSEMBLY INSTRUCTIONS

Sink (continued)

Assemble by matching Parts & Hardware List letter identifiers and quantities with Assembly Diagrams.

1



Attention!

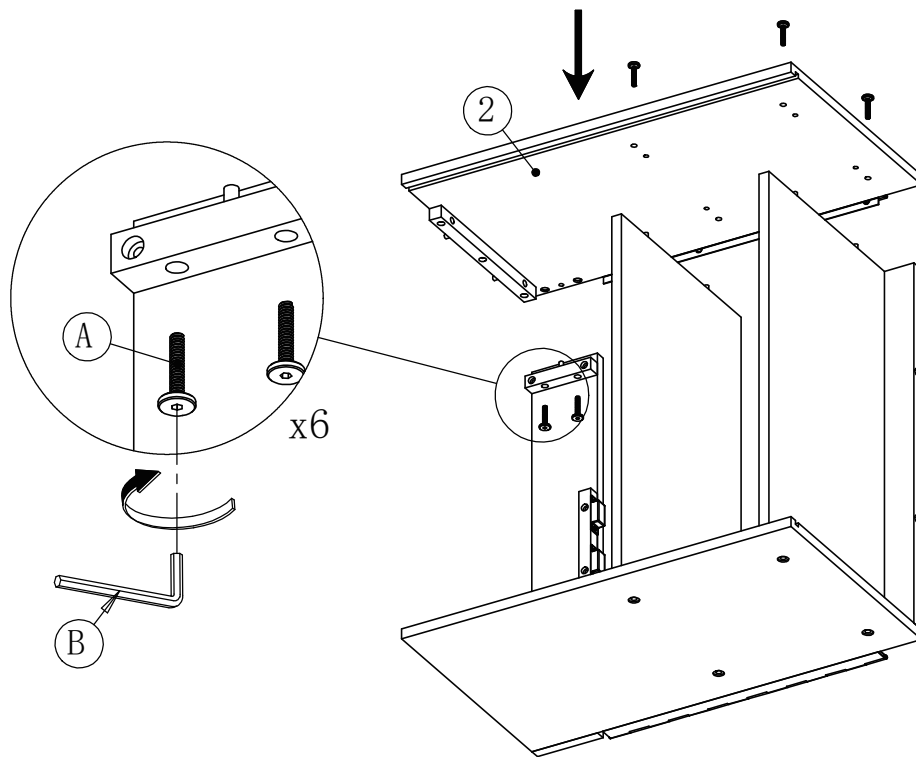
- The sharp tip of screws may scratch hands.
- Tighten all screws before use.
- Do not OVER tighten screws.
- Electric screwdrivers should NOT be used for assembly.
- Be sure to remove packaging, all rubber bands, wire ties and tags or fastenings from the product. They are not part of this product and must be removed and discarded before use.

Keep this packaging for future reference since it contains important information. Adult assembly required. Read enclosed instructions before use. **SPECIFICATIONS, COLORS AND CONTENTS MAY VARY FROM ILLUSTRATIONS.** Young children in play are unaware of potential dangers and hazards, therefore responsible adult supervision is essential.

ASSEMBLY INSTRUCTIONS

Sink (continued)

Assemble by matching Parts & Hardware List letter identifiers and quantities with Assembly Diagrams.



Attention!

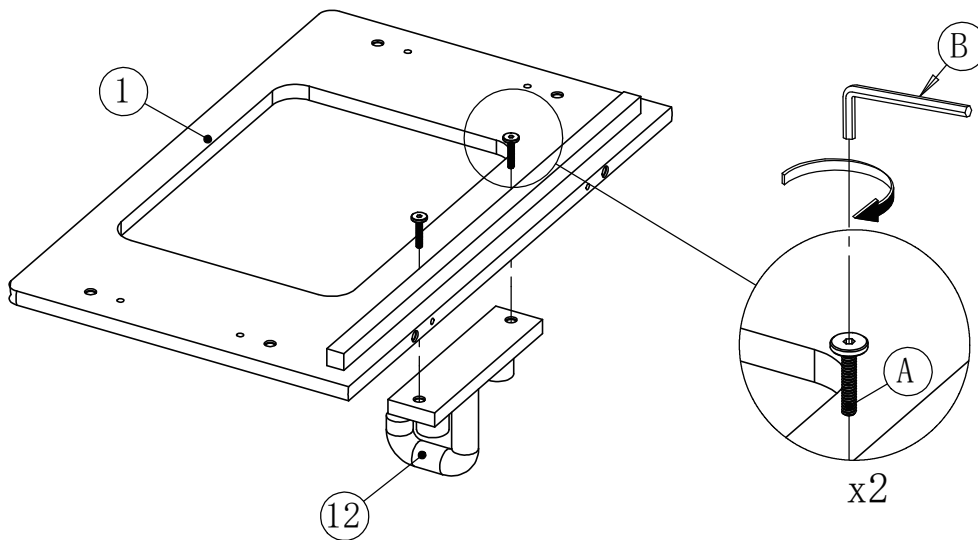
- The sharp tip of screws may scratch hands.
- Tighten all screws before use.
- Do not OVER tighten screws.
- Electric screwdrivers should NOT be used for assembly.
- Be sure to remove packaging, all rubber bands, wire ties and tags or fastenings from the product. They are not part of this product and must be removed and discarded before use.

Keep this packaging for future reference since it contains important information. Adult assembly required. Read enclosed instructions before use. **SPECIFICATIONS, COLORS AND CONTENTS MAY VARY FROM ILLUSTRATIONS.** Young children in play are unaware of potential dangers and hazards, therefore responsible adult supervision is essential.

ASSEMBLY INSTRUCTIONS

Sink (continued)

Assemble by matching Parts & Hardware List letter identifiers and quantities with Assembly Diagrams.



Attention!

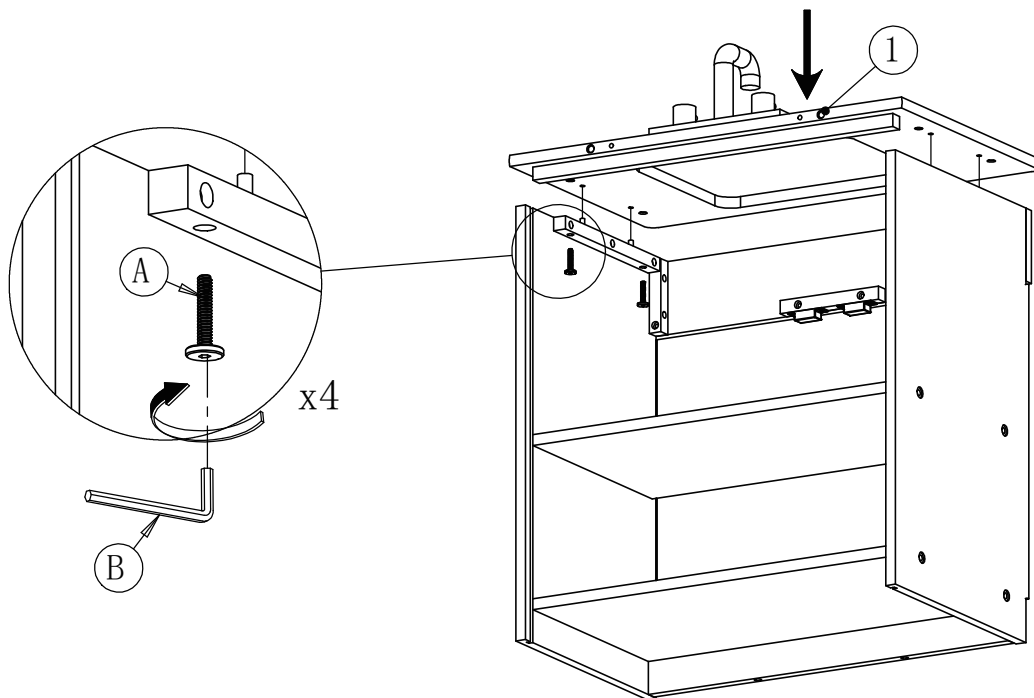
- The sharp tip of screws may scratch hands.
- Tighten all screws before use.
- Do not OVER tighten screws.
- Electric screwdrivers should NOT be used for assembly.
- Be sure to remove packaging, all rubber bands, wire ties and tags or fastenings from the product. They are not part of this product and must be removed and discarded before use.

Keep this packaging for future reference since it contains important information. Adult assembly required. Read enclosed instructions before use. **SPECIFICATIONS, COLORS AND CONTENTS MAY VARY FROM ILLUSTRATIONS.** Young children in play are unaware of potential dangers and hazards, therefore responsible adult supervision is essential.

ASSEMBLY INSTRUCTIONS

Sink (continued)

Assemble by matching Parts & Hardware List letter identifiers and quantities with Assembly Diagrams.



Attention!

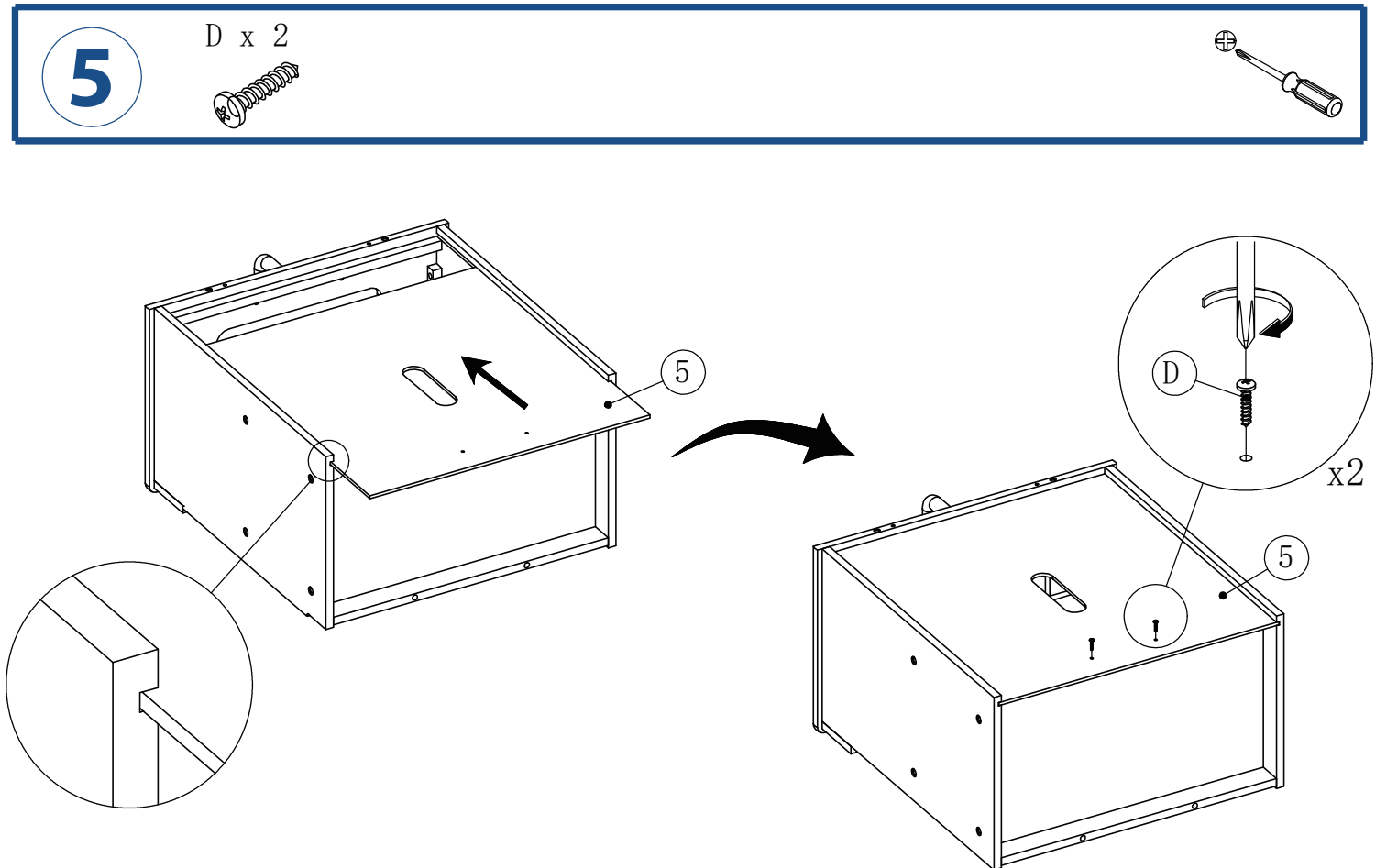
- The sharp tip of screws may scratch hands.
- Tighten all screws before use.
- Do not OVER tighten screws.
- Electric screwdrivers should NOT be used for assembly.
- Be sure to remove packaging, all rubber bands, wire ties and tags or fastenings from the product. They are not part of this product and must be removed and discarded before use.

Keep this packaging for future reference since it contains important information. Adult assembly required. Read enclosed instructions before use. **SPECIFICATIONS, COLORS AND CONTENTS MAY VARY FROM ILLUSTRATIONS.** Young children in play are unaware of potential dangers and hazards, therefore responsible adult supervision is essential.

ASSEMBLY INSTRUCTIONS

Sink (continued)

Assemble by matching Parts & Hardware List letter identifiers and quantities with Assembly Diagrams.



Attention!

- The sharp tip of screws may scratch hands.
- Tighten all screws before use.
- Do not OVER tighten screws.
- Electric screwdrivers should NOT be used for assembly.
- Be sure to remove packaging, all rubber bands, wire ties and tags or fastenings from the product. They are not part of this product and must be removed and discarded before use.

Keep this packaging for future reference since it contains important information. Adult assembly required. Read enclosed instructions before use. **SPECIFICATIONS, COLORS AND CONTENTS MAY VARY FROM ILLUSTRATIONS.** Young children in play are unaware of potential dangers and hazards, therefore responsible adult supervision is essential.

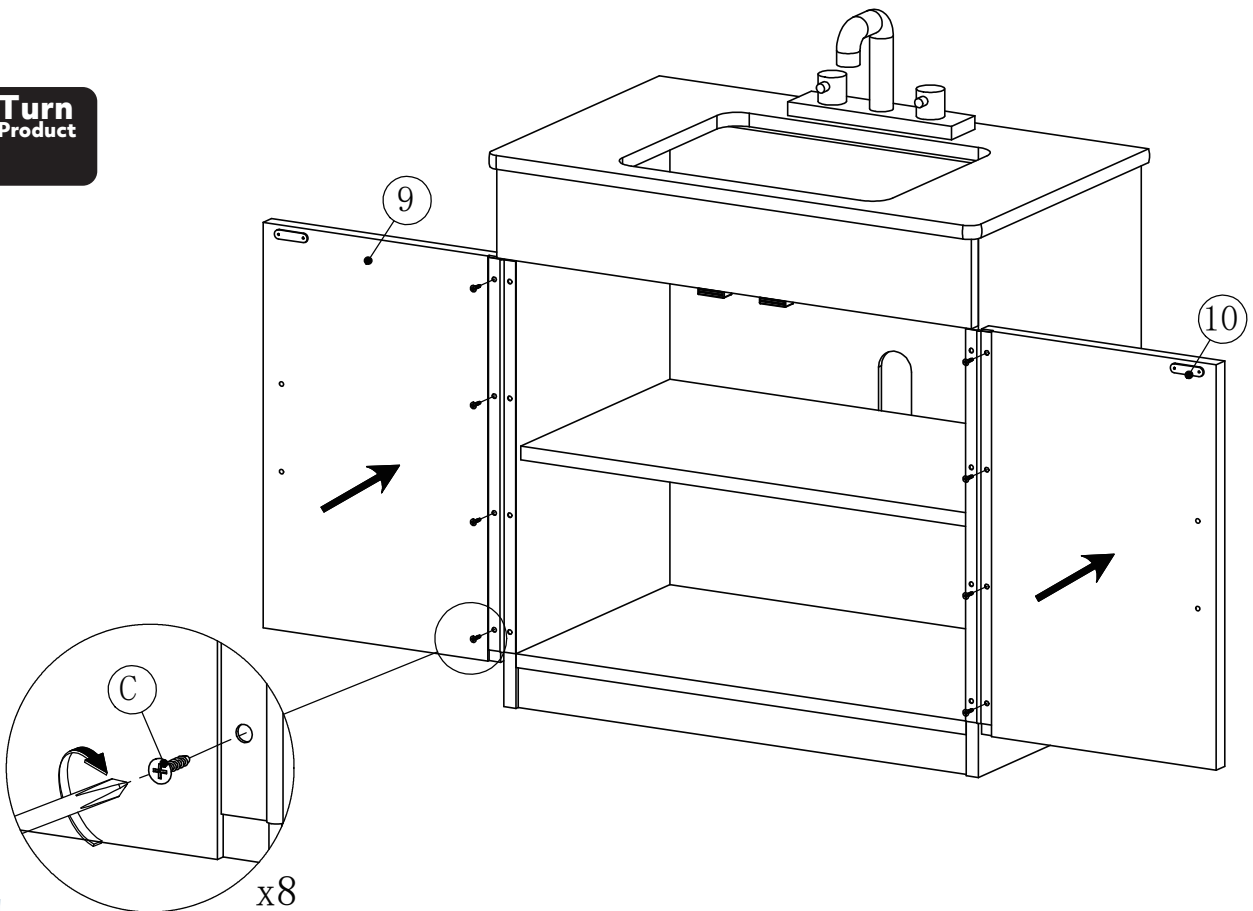
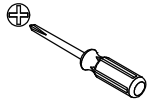
ASSEMBLY INSTRUCTIONS

Sink (continued)

Assemble by matching Parts & Hardware List letter identifiers and quantities with Assembly Diagrams.

6

C x 8



Attention!

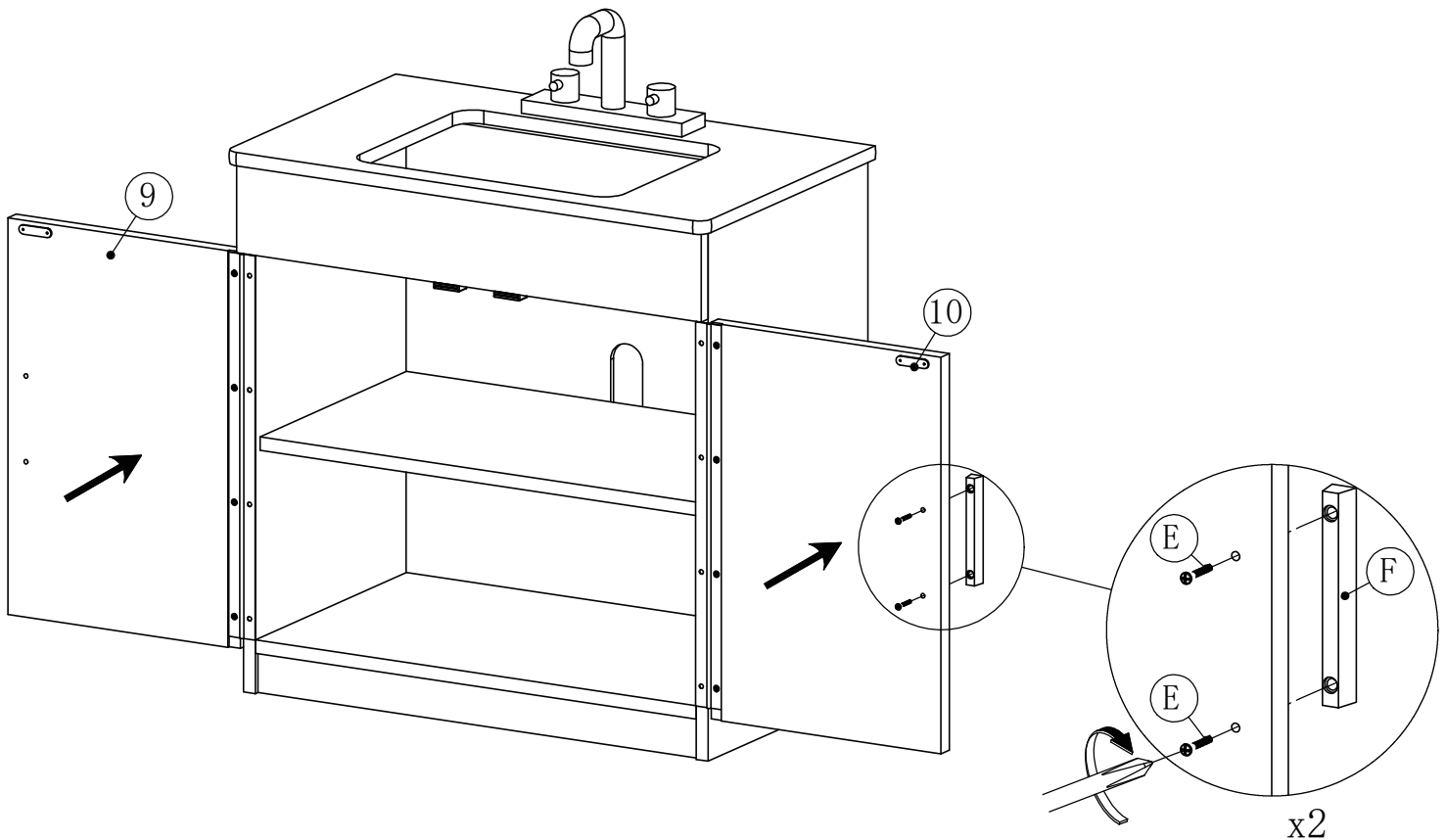
- The sharp tip of screws may scratch hands.
- Tighten all screws before use.
- Do not OVER tighten screws.
- Electric screwdrivers should NOT be used for assembly.
- Be sure to remove packaging, all rubber bands, wire ties and tags or fastenings from the product. They are not part of this product and must be removed and discarded before use.

Keep this packaging for future reference since it contains important information. Adult assembly required. Read enclosed instructions before use. **SPECIFICATIONS, COLORS AND CONTENTS MAY VARY FROM ILLUSTRATIONS.** Young children in play are unaware of potential dangers and hazards, therefore responsible adult supervision is essential.

ASSEMBLY INSTRUCTIONS

Sink (continued)

Assemble by matching Parts & Hardware List letter identifiers and quantities with Assembly Diagrams.



Attention!

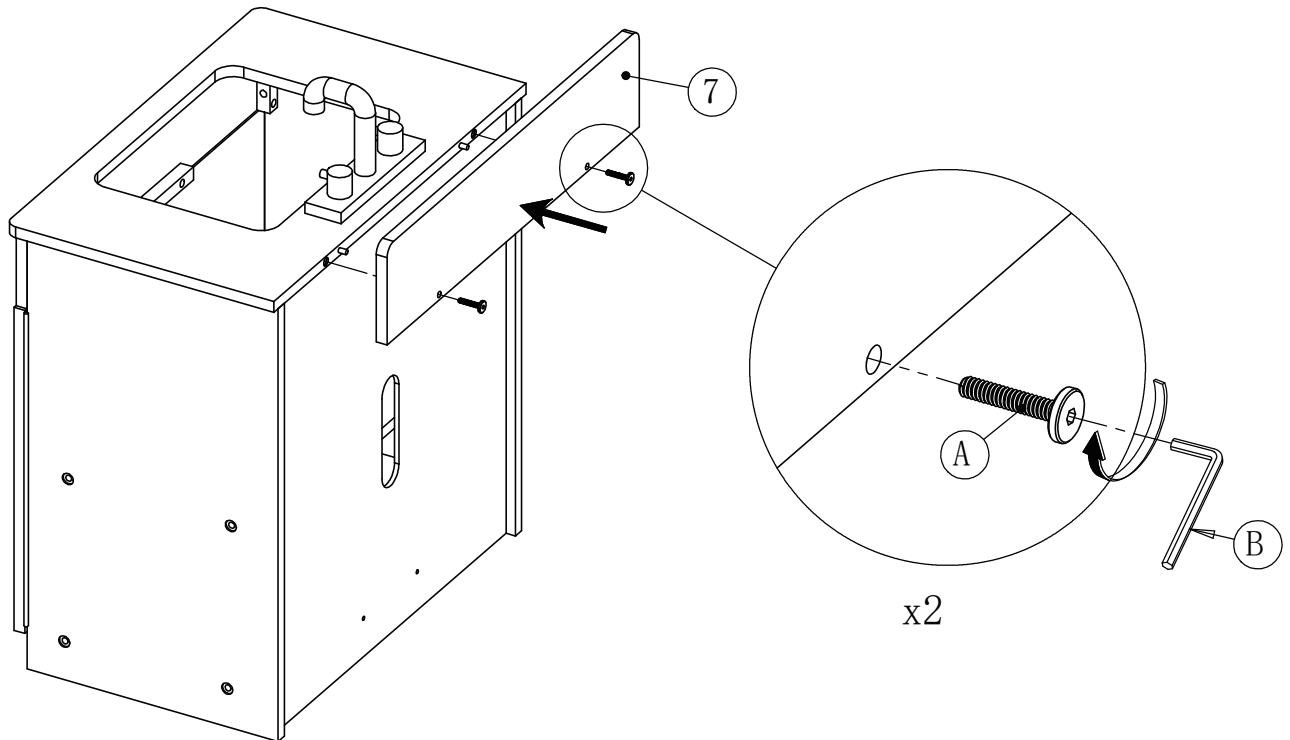
- The sharp tip of screws may scratch hands.
- Tighten all screws before use.
- Do not OVER tighten screws.
- Electric screwdrivers should NOT be used for assembly.
- Be sure to remove packaging, all rubber bands, wire ties and tags or fastenings from the product. They are not part of this product and must be removed and discarded before use.

Keep this packaging for future reference since it contains important information. Adult assembly required. Read enclosed instructions before use. **SPECIFICATIONS, COLORS AND CONTENTS MAY VARY FROM ILLUSTRATIONS.** Young children in play are unaware of potential dangers and hazards, therefore responsible adult supervision is essential.

ASSEMBLY INSTRUCTIONS

Sink (continued)

Assemble by matching Parts & Hardware List letter identifiers and quantities with Assembly Diagrams.



Attention!

- The sharp tip of screws may scratch hands.
- Tighten all screws before use.
- Do not OVER tighten screws.
- Electric screwdrivers should NOT be used for assembly.
- Be sure to remove packaging, all rubber bands, wire ties and tags or fastenings from the product. They are not part of this product and must be removed and discarded before use.

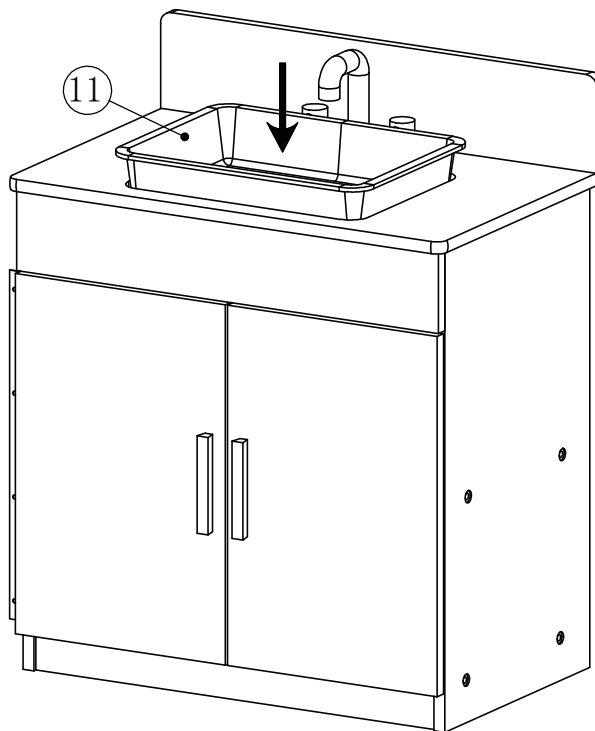
Keep this packaging for future reference since it contains important information. Adult assembly required. Read enclosed instructions before use. **SPECIFICATIONS, COLORS AND CONTENTS MAY VARY FROM ILLUSTRATIONS.** Young children in play are unaware of potential dangers and hazards, therefore responsible adult supervision is essential.

ASSEMBLY INSTRUCTIONS

Sink (continued)

Assemble by matching Parts & Hardware List letter identifiers and quantities with Assembly Diagrams.

9



Attention!

- The sharp tip of screws may scratch hands.
- Tighten all screws before use.
- Do not OVER tighten screws.
- Electric screwdrivers should NOT be used for assembly.
- Be sure to remove packaging, all rubber bands, wire ties and tags or fastenings from the product. They are not part of this product and must be removed and discarded before use.

Keep this packaging for future reference since it contains important information. Adult assembly required. Read enclosed instructions before use. **SPECIFICATIONS, COLORS AND CONTENTS MAY VARY FROM ILLUSTRATIONS.** Young children in play are unaware of potential dangers and hazards, therefore responsible adult supervision is essential.

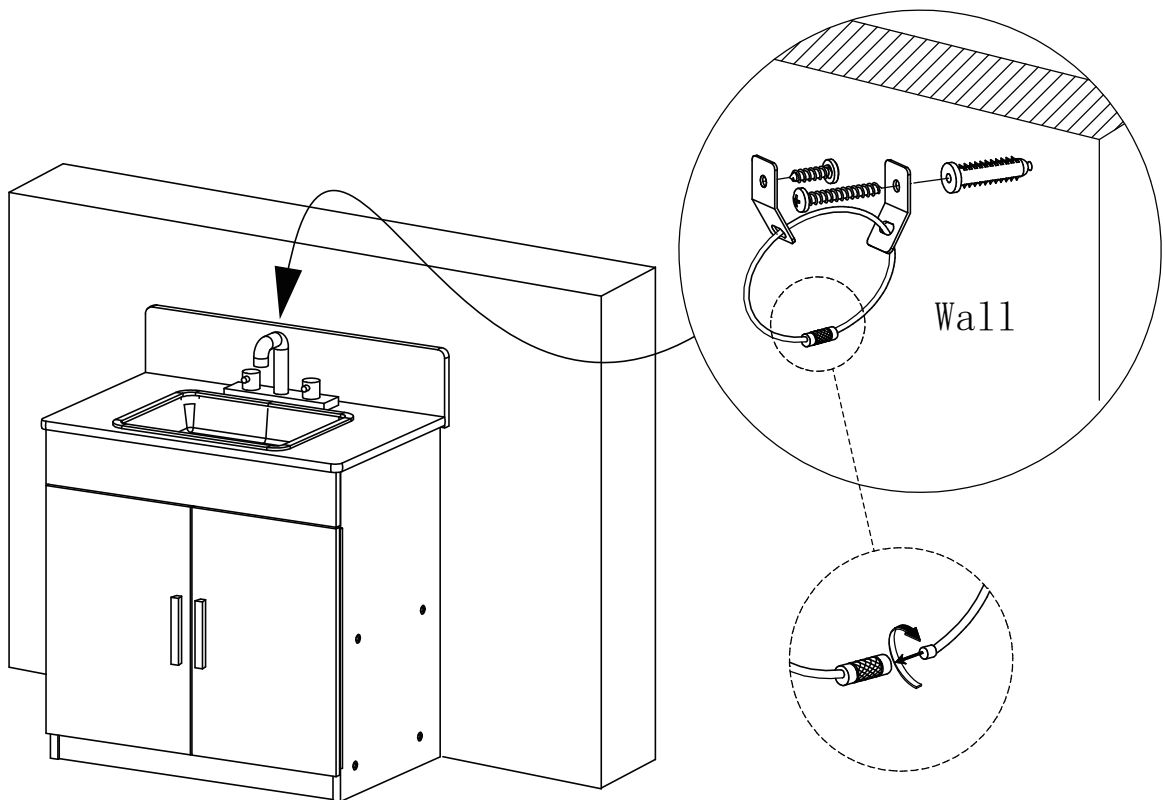
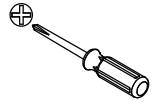
ASSEMBLY INSTRUCTIONS

Sink

Assemble by matching Parts & Hardware List letter identifiers and quantities with Assembly Diagrams.

10

G x 1



Attention!

- The sharp tip of screws may scratch hands.
- Tighten all screws before use.
- Do not OVER tighten screws.
- Electric screwdrivers should NOT be used for assembly.
- Be sure to remove packaging, all rubber bands, wire ties and tags or fastenings from the product. They are not part of this product and must be removed and discarded before use.

Keep this packaging for future reference since it contains important information. Adult assembly required. Read enclosed instructions before use. **SPECIFICATIONS, COLORS AND CONTENTS MAY VARY FROM ILLUSTRATIONS.** Young children in play are unaware of potential dangers and hazards, therefore responsible adult supervision is essential.