



Modern Sink

⚠️ WARNING

Small parts and sharp points may be present prior to assembly.

Adult assembly required.
For ages 3 and up.

Cleaning:

This unit can be cleaned with a mild soap and water solution. Be sure to wipe all water from the wood surface.

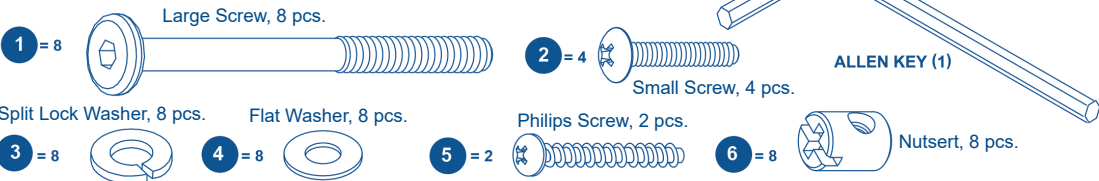
Important:

Do not discard these instructions.
Keep this copy in a safe place.

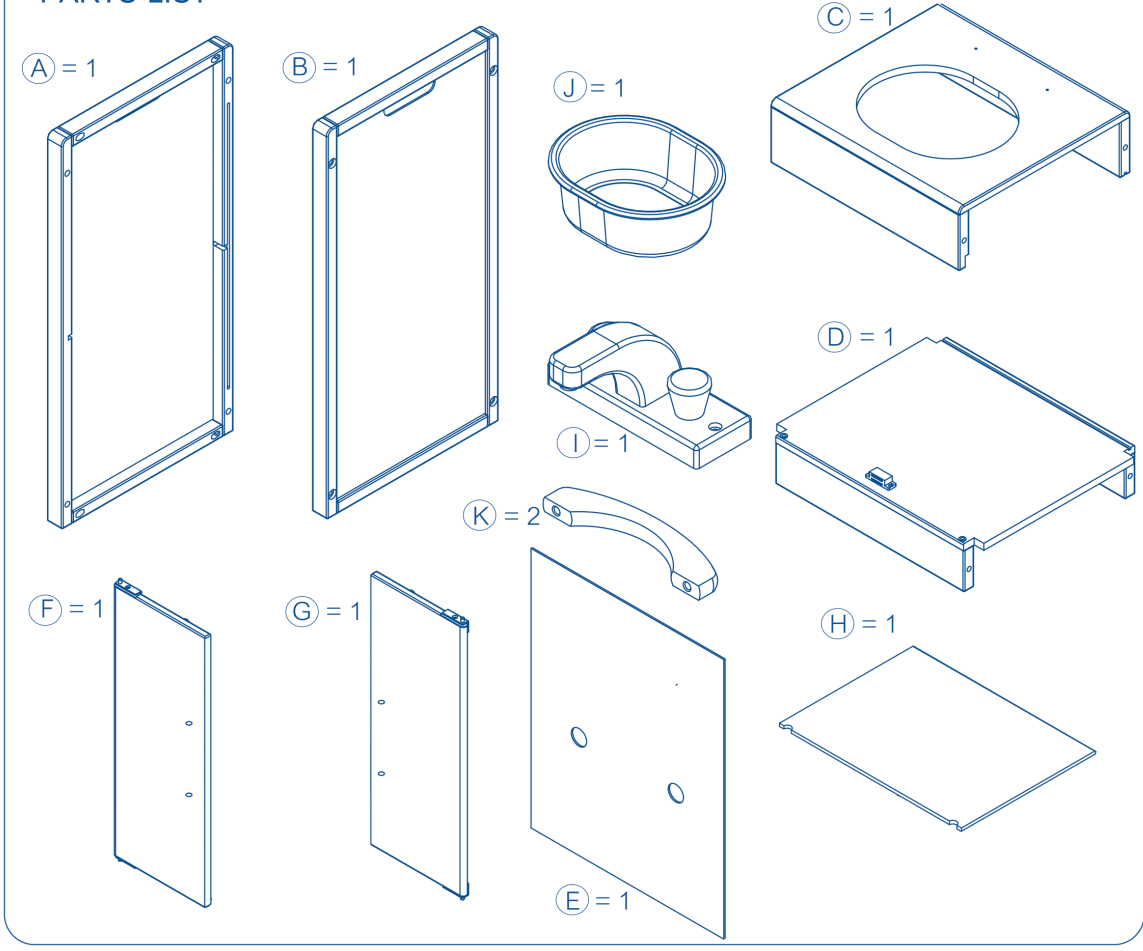
Assembly Note:

To ease assembly, do not fully tighten screws during assembly process. After until is fully assembled, go back and tighten all screws.

HARDWARE



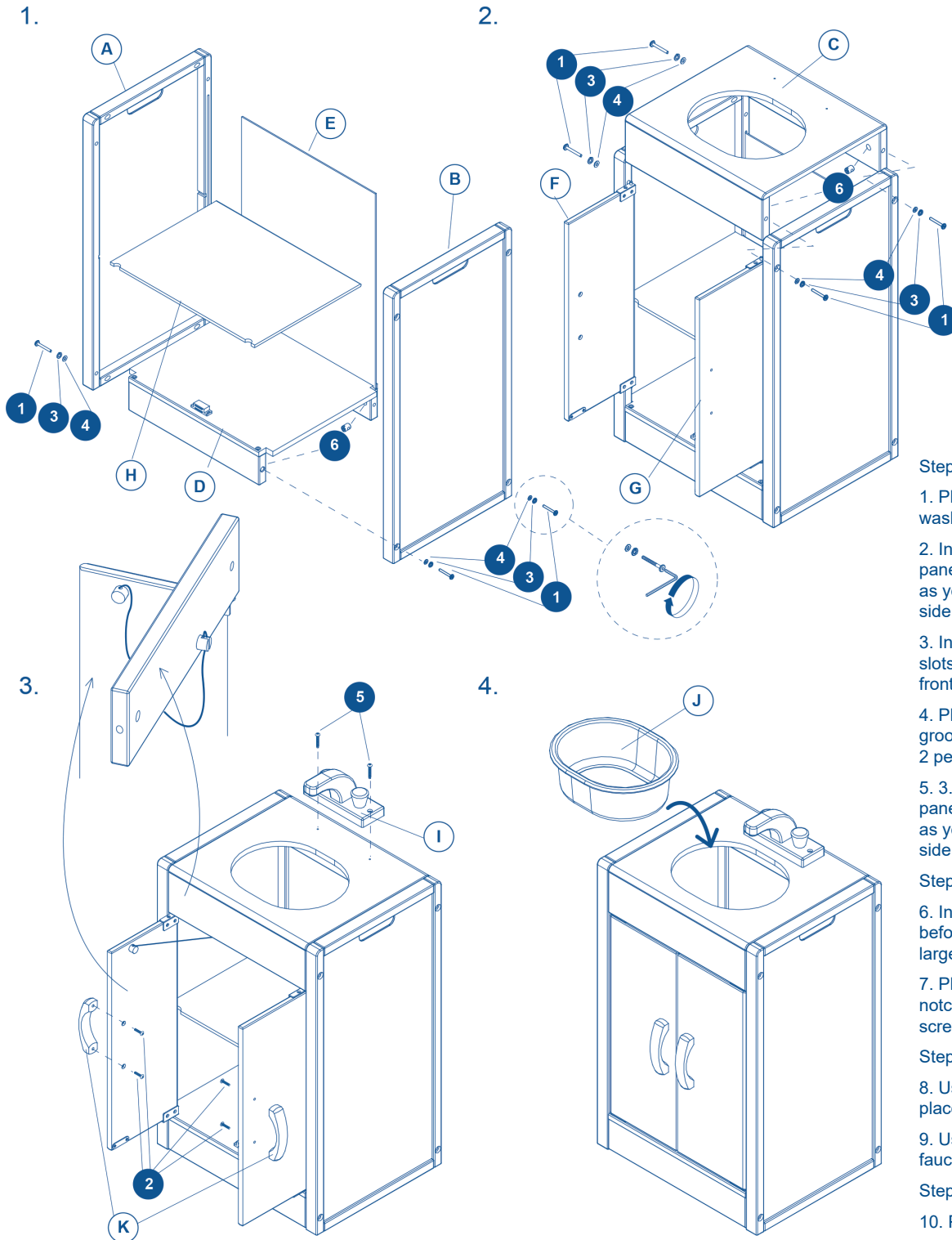
PARTS LIST



ASSEMBLY INSTRUCTIONS



ASSEMBLY DIAGRAM



Step 1

1. Place flat washer (4) and lock washer (3) on large screw (1).
2. Insert nutsert (6) into bottom panel (D). Hold nutsert (6) in place as you insert large screw (1) into side panel (A).
3. Insert middle panel (H) into slots with grooves towards the front.

4. Place back panel (E) into grooves. Recommended: 2 person assembly
5. 3. Insert nutsert (6) into bottom panel (D). Hold nutsert (6) in place as you insert large screw (1) into side panel (B).

Step 2

6. Insert nutsert (6) into panel (C) before placing in. Loosely screw in large screw (1).
7. Place doors (F and G) into notches. Go back and tighten screws at the top of the sink.

Step 3

8. Using smaller screws (2), place handles onto doors.
9. Using leftover screws (5), insert faucet (J).

Step 4

10. Place sink (J) into hole.