

ASSEMBLY INSTRUCTIONS

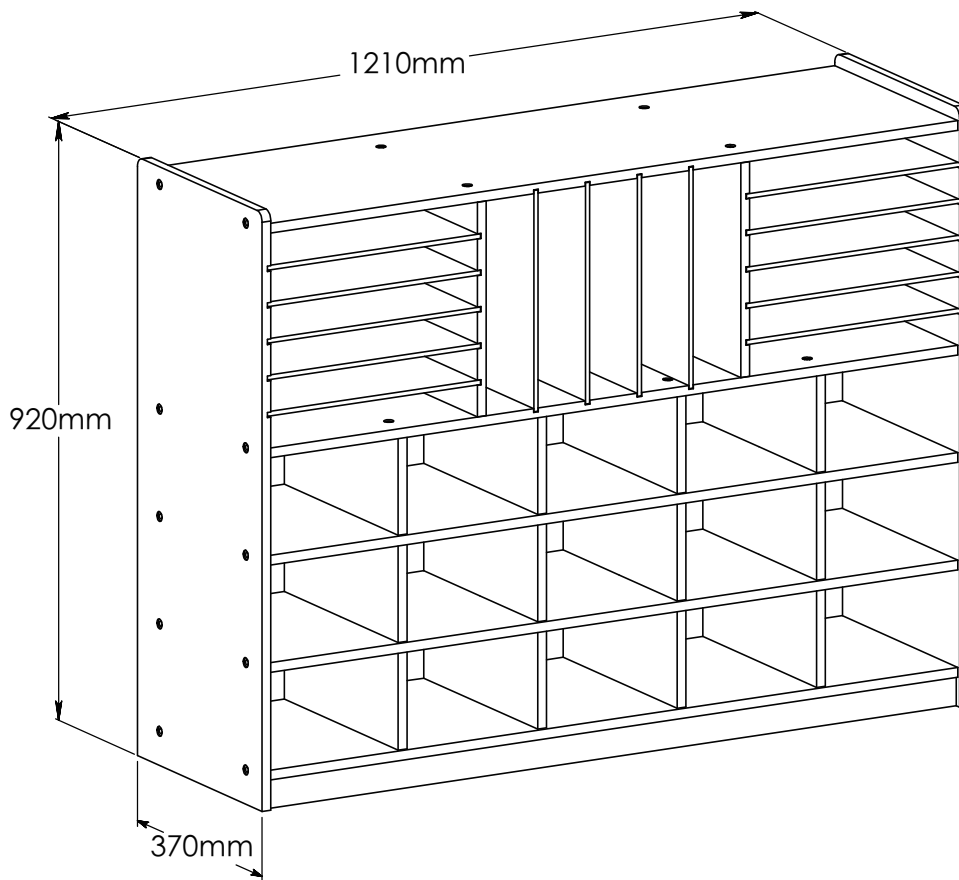
3 Years +



Active Play

Storage

Mobile Multi Section Storage Unit



WARNING
Adult assembly required due to the presence of small parts, sharp edges and/or sharp points.

ASSEMBLY INSTRUCTIONS

3 Years +



Active Play

Storage

Mobile Multi Section Storage Unit

Here's What You Get!

Check shipping box contents against Parts & Hardware List prior to assembly for correct parts and quantities.

Hardware

6cm
5cm
4cm
3cm
2cm
1cm
0cm

44X
M6x25mm
A
Bolt

2X
M4
B
Allen Key

8X
M4x15mm
C
Screw

1X
D
Anti-tip Kit

M4x50mm
M4x15mm

WARNING
Adult assembly required due to the presence of small parts, sharp edges and/or sharp points.

ASSEMBLY INSTRUCTIONS

3 Years +



Active Play

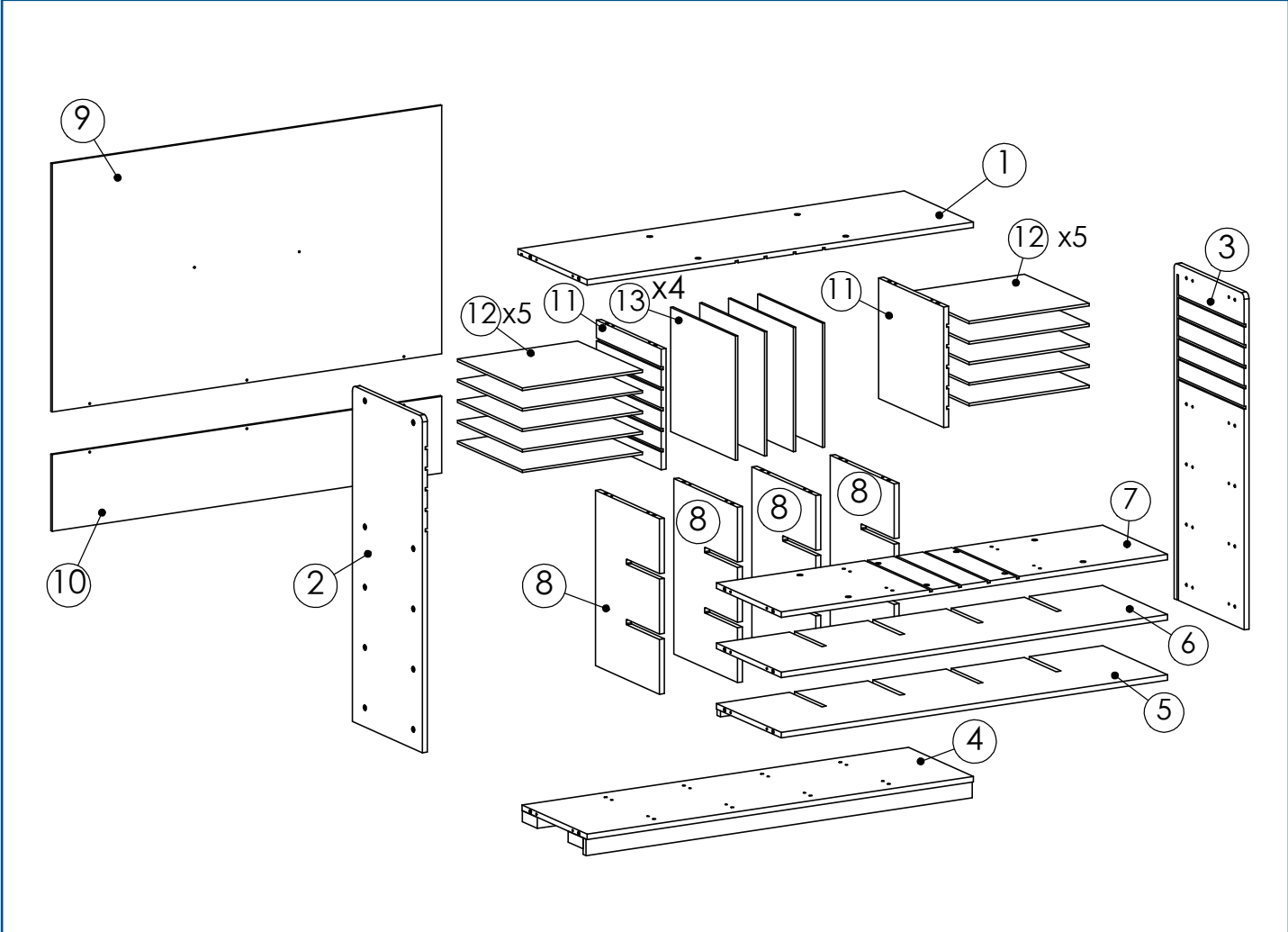
Storage

Mobile Multi Section Storage Unit

Here's What You Get! (continued)

Check shipping box contents against Parts & Hardware List prior to assembly for correct parts and quantities.

Parts



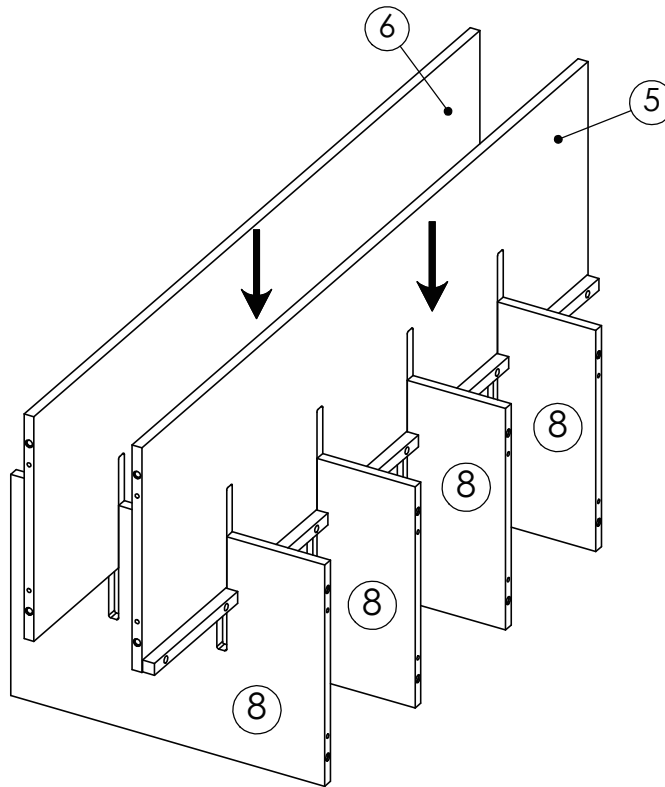
WARNING
Adult assembly required due to the presence of small parts, sharp edges and/or sharp points.

ASSEMBLY INSTRUCTIONS

Mobile Multi Section Storage Unit (continued)

Assemble by matching Parts & Hardware List letter identifiers and quantities with Assembly Diagrams.

1



Attention!

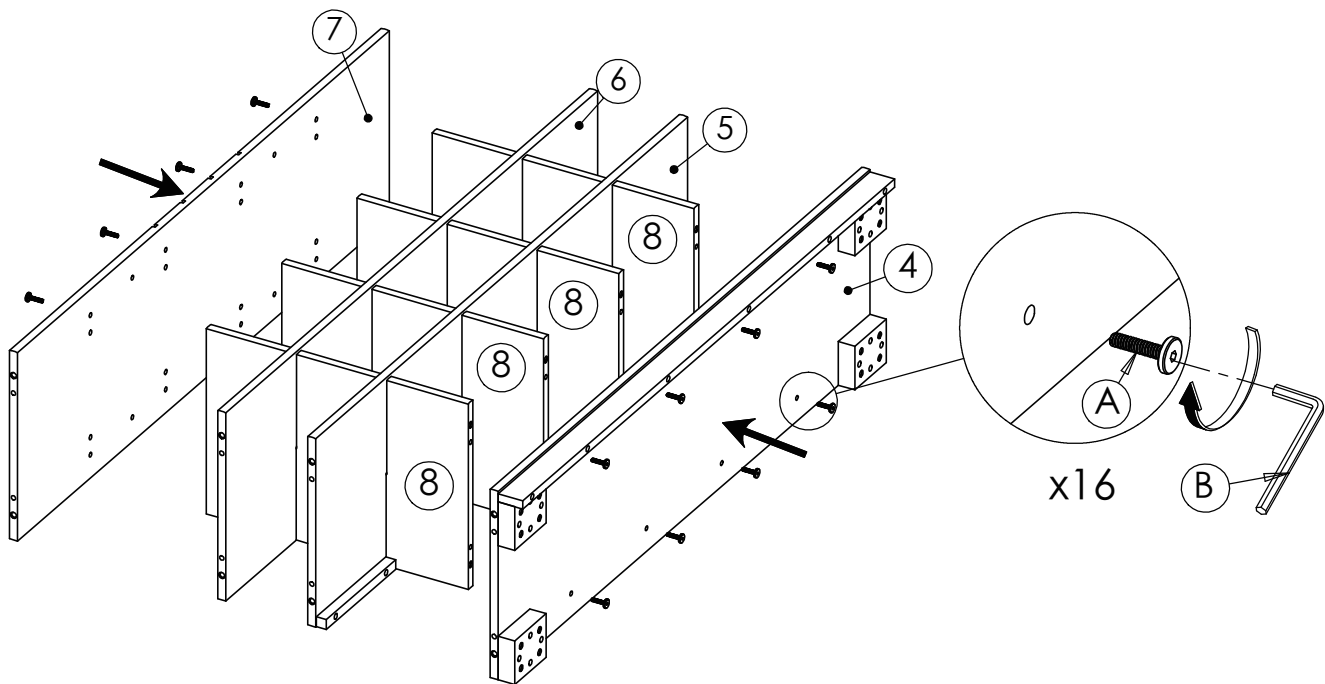
- The sharp tip of screws may scratch hands.
- Tighten all screws before use.
- Do not OVER tighten screws.
- Electric screwdrivers should NOT be used for assembly.
- Be sure to remove packaging, all rubber bands, wire ties and tags or fastenings from the product. They are not part of this product and must be removed and discarded before use.

Keep this packaging for future reference since it contains important information. Adult assembly required. Read enclosed instructions before use. SPECIFICATIONS, COLORS AND CONTENTS MAY VARY FROM ILLUSTRATIONS. Young children in play are unaware of potential dangers and hazards, therefore responsible adult supervision is essential.

ASSEMBLY INSTRUCTIONS

Mobile Multi Section Storage Unit (continued)

Assemble by matching Parts & Hardware List letter identifiers and quantities with Assembly Diagrams.



Attention!

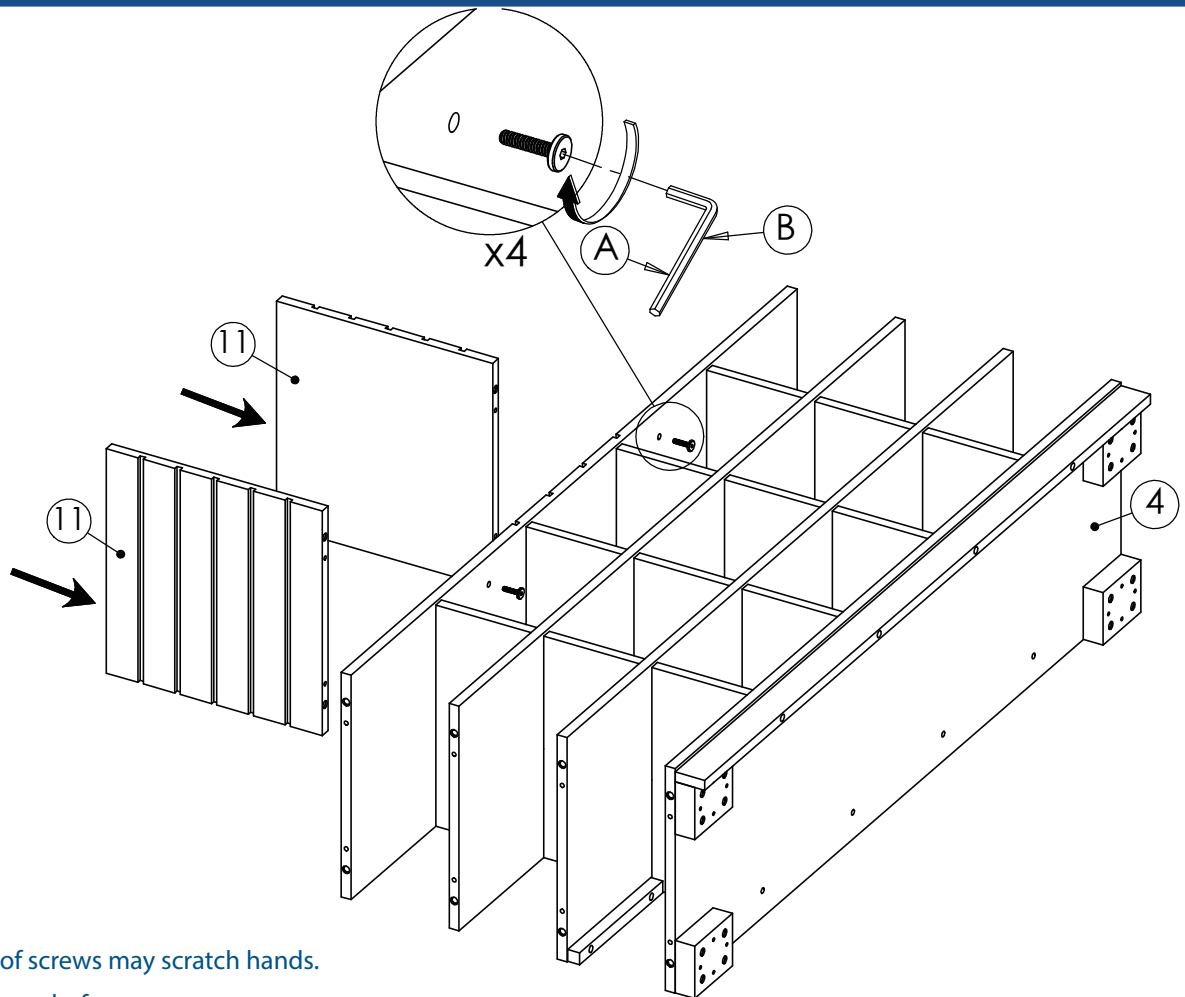
- The sharp tip of screws may scratch hands.
- Tighten all screws before use.
- Do not OVER tighten screws.
- Electric screwdrivers should NOT be used for assembly.
- Be sure to remove packaging, all rubber bands, wire ties and tags or fastenings from the product. They are not part of this product and must be removed and discarded before use.

Keep this packaging for future reference since it contains important information. Adult assembly required. Read enclosed instructions before use. SPECIFICATIONS, COLORS AND CONTENTS MAY VARY FROM ILLUSTRATIONS. Young children in play are unaware of potential dangers and hazards, therefore responsible adult supervision is essential.

ASSEMBLY INSTRUCTIONS

Mobile Multi Section Storage Unit (continued)

Assemble by matching Parts & Hardware List letter identifiers and quantities with Assembly Diagrams.



Attention!

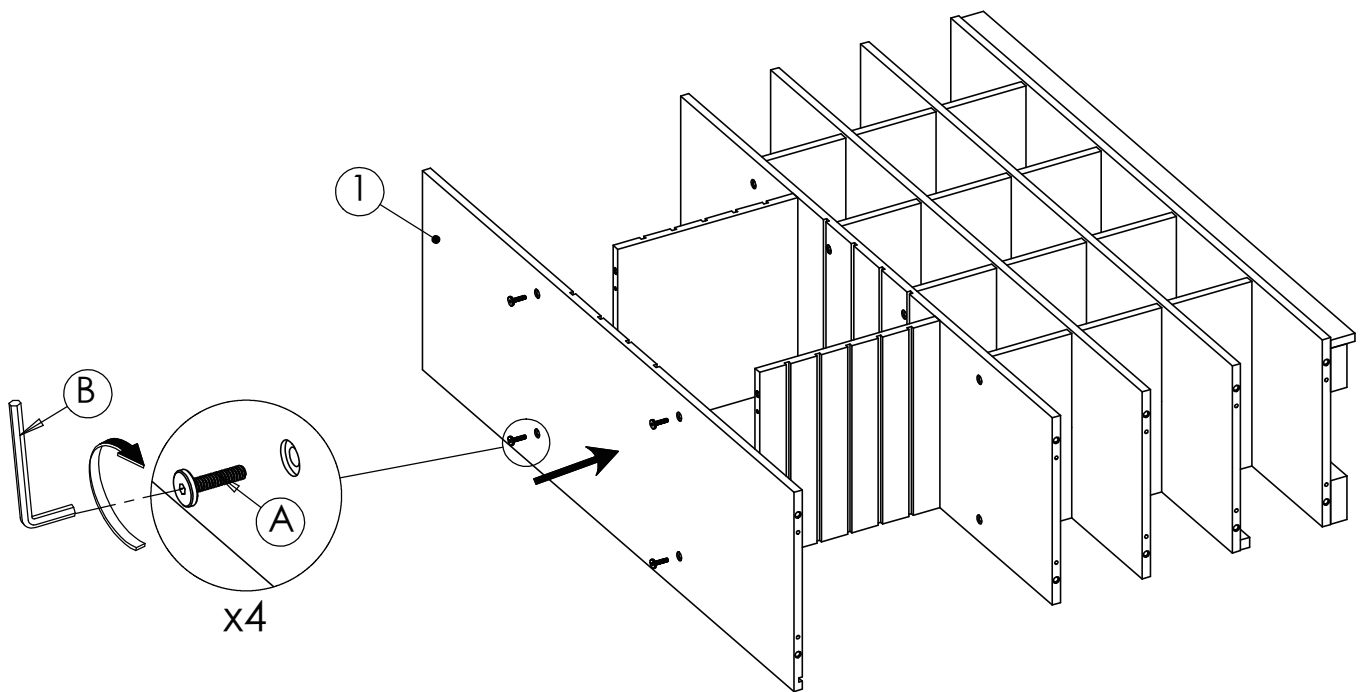
- The sharp tip of screws may scratch hands.
- Tighten all screws before use.
- Do not OVER tighten screws.
- Electric screwdrivers should NOT be used for assembly.
- Be sure to remove packaging, all rubber bands, wire ties and tags or fastenings from the product. They are not part of this product and must be removed and discarded before use.

Keep this packaging for future reference since it contains important information. Adult assembly required. Read enclosed instructions before use. SPECIFICATIONS, COLORS AND CONTENTS MAY VARY FROM ILLUSTRATIONS. Young children in play are unaware of potential dangers and hazards, therefore responsible adult supervision is essential.

ASSEMBLY INSTRUCTIONS

Mobile Multi Section Storage Unit (continued)

Assemble by matching Parts & Hardware List letter identifiers and quantities with Assembly Diagrams.



Attention!

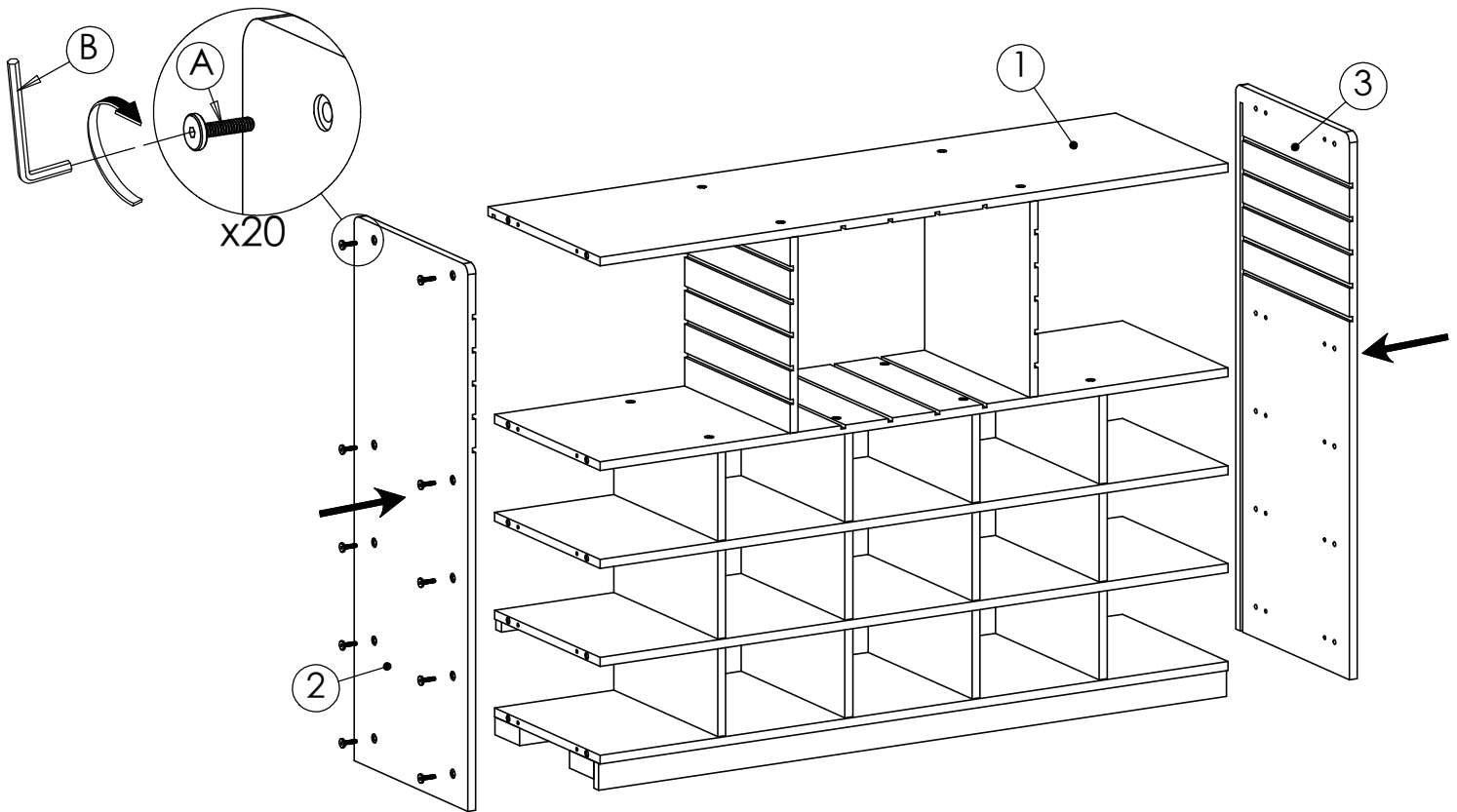
- The sharp tip of screws may scratch hands.
- Tighten all screws before use.
- Do not OVER tighten screws.
- Electric screwdrivers should NOT be used for assembly.
- Be sure to remove packaging, all rubber bands, wire ties and tags or fastenings from the product. They are not part of this product and must be removed and discarded before use.

Keep this packaging for future reference since it contains important information. Adult assembly required. Read enclosed instructions before use. SPECIFICATIONS, COLORS AND CONTENTS MAY VARY FROM ILLUSTRATIONS. Young children in play are unaware of potential dangers and hazards, therefore responsible adult supervision is essential.

ASSEMBLY INSTRUCTIONS

Mobile Multi Section Storage Unit (continued)

Assemble by matching Parts & Hardware List letter identifiers and quantities with Assembly Diagrams.



Attention!

- The sharp tip of screws may scratch hands.
- Tighten all screws before use.
- Do not OVER tighten screws.
- Electric screwdrivers should NOT be used for assembly.
- Be sure to remove packaging, all rubber bands, wire ties and tags or fastenings from the product. They are not part of this product and must be removed and discarded before use.

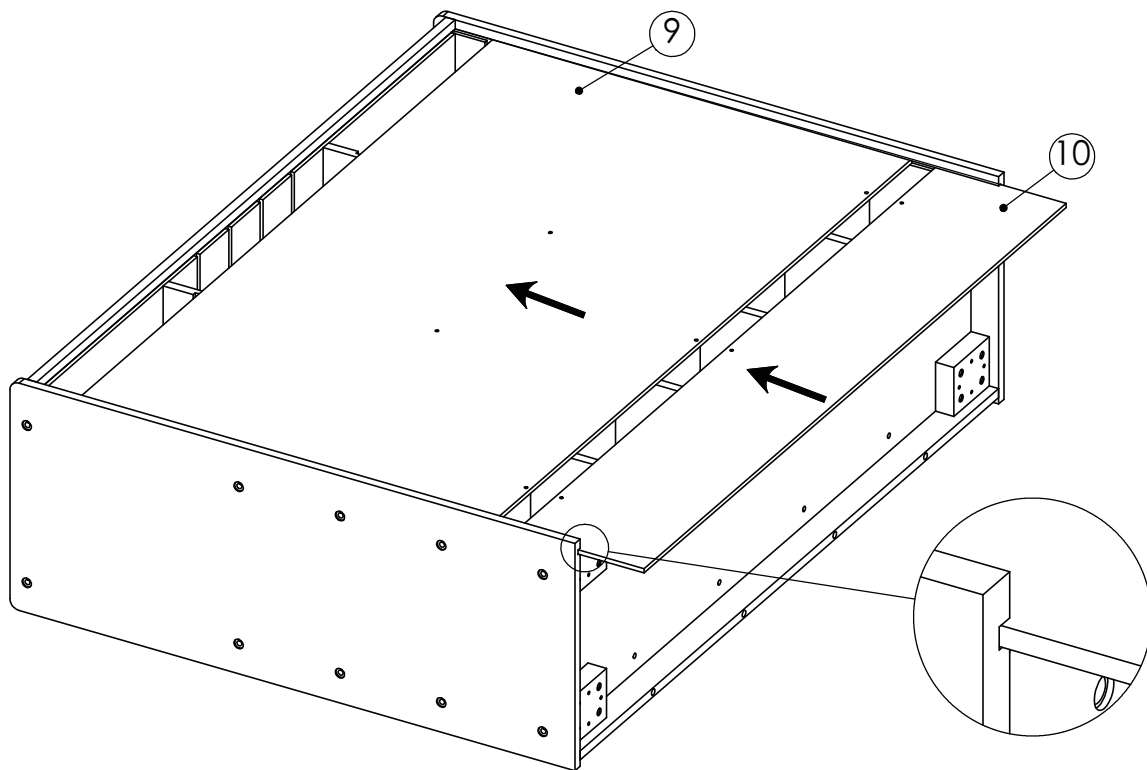
Keep this packaging for future reference since it contains important information. Adult assembly required. Read enclosed instructions before use. SPECIFICATIONS, COLORS AND CONTENTS MAY VARY FROM ILLUSTRATIONS. Young children in play are unaware of potential dangers and hazards, therefore responsible adult supervision is essential.

ASSEMBLY INSTRUCTIONS

Mobile Multi Section Storage Unit (continued)

Assemble by matching Parts & Hardware List letter identifiers and quantities with Assembly Diagrams.

6



Attention!

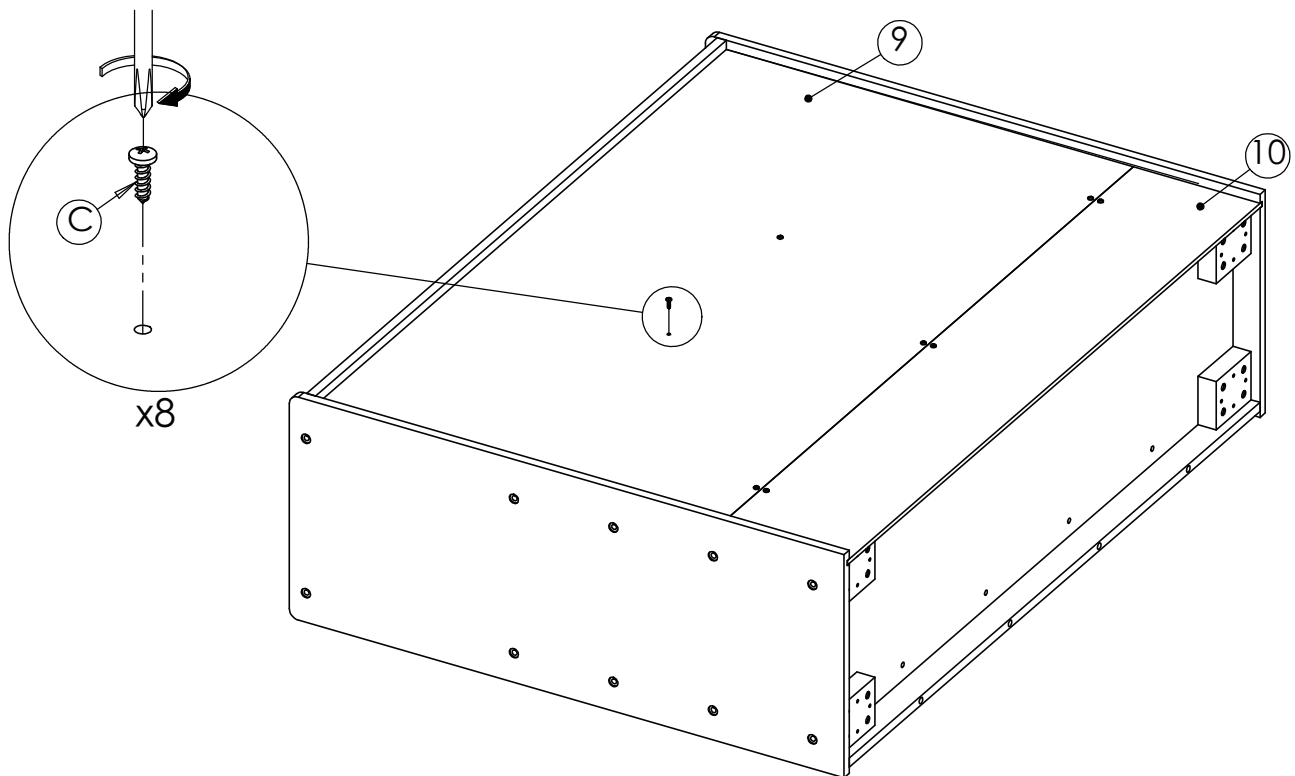
- The sharp tip of screws may scratch hands.
- Tighten all screws before use.
- Do not OVER tighten screws.
- Electric screwdrivers should NOT be used for assembly.
- Be sure to remove packaging, all rubber bands, wire ties and tags or fastenings from the product. They are not part of this product and must be removed and discarded before use.

Keep this packaging for future reference since it contains important information. Adult assembly required. Read enclosed instructions before use. SPECIFICATIONS, COLORS AND CONTENTS MAY VARY FROM ILLUSTRATIONS. Young children in play are unaware of potential dangers and hazards, therefore responsible adult supervision is essential.

ASSEMBLY INSTRUCTIONS

Mobile Multi Section Storage Unit (continued)

Assemble by matching Parts & Hardware List letter identifiers and quantities with Assembly Diagrams.



Attention!

- The sharp tip of screws may scratch hands.
- Tighten all screws before use.
- Do not OVER tighten screws.
- Electric screwdrivers should NOT be used for assembly.
- Be sure to remove packaging, all rubber bands, wire ties and tags or fastenings from the product. They are not part of this product and must be removed and discarded before use.

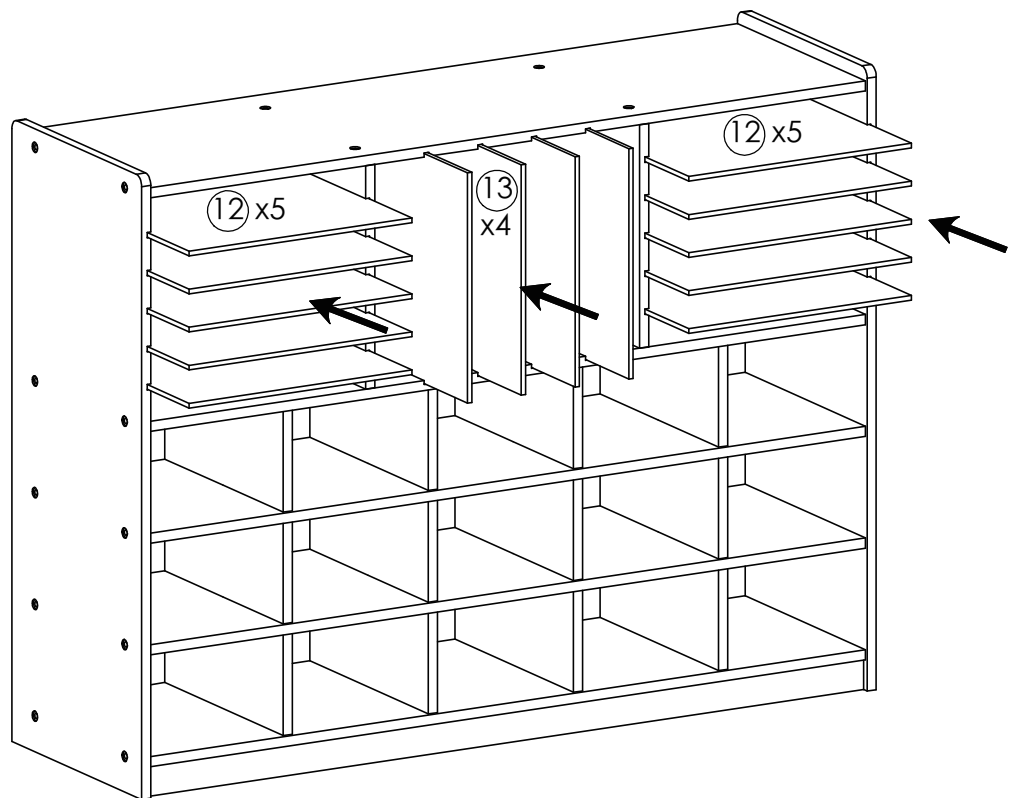
Keep this packaging for future reference since it contains important information. Adult assembly required. Read enclosed instructions before use. SPECIFICATIONS, COLORS AND CONTENTS MAY VARY FROM ILLUSTRATIONS. Young children in play are unaware of potential dangers and hazards, therefore responsible adult supervision is essential.

ASSEMBLY INSTRUCTIONS

Mobile Multi Section Storage Unit (continued)

Assemble by matching Parts & Hardware List letter identifiers and quantities with Assembly Diagrams.

8



Attention!

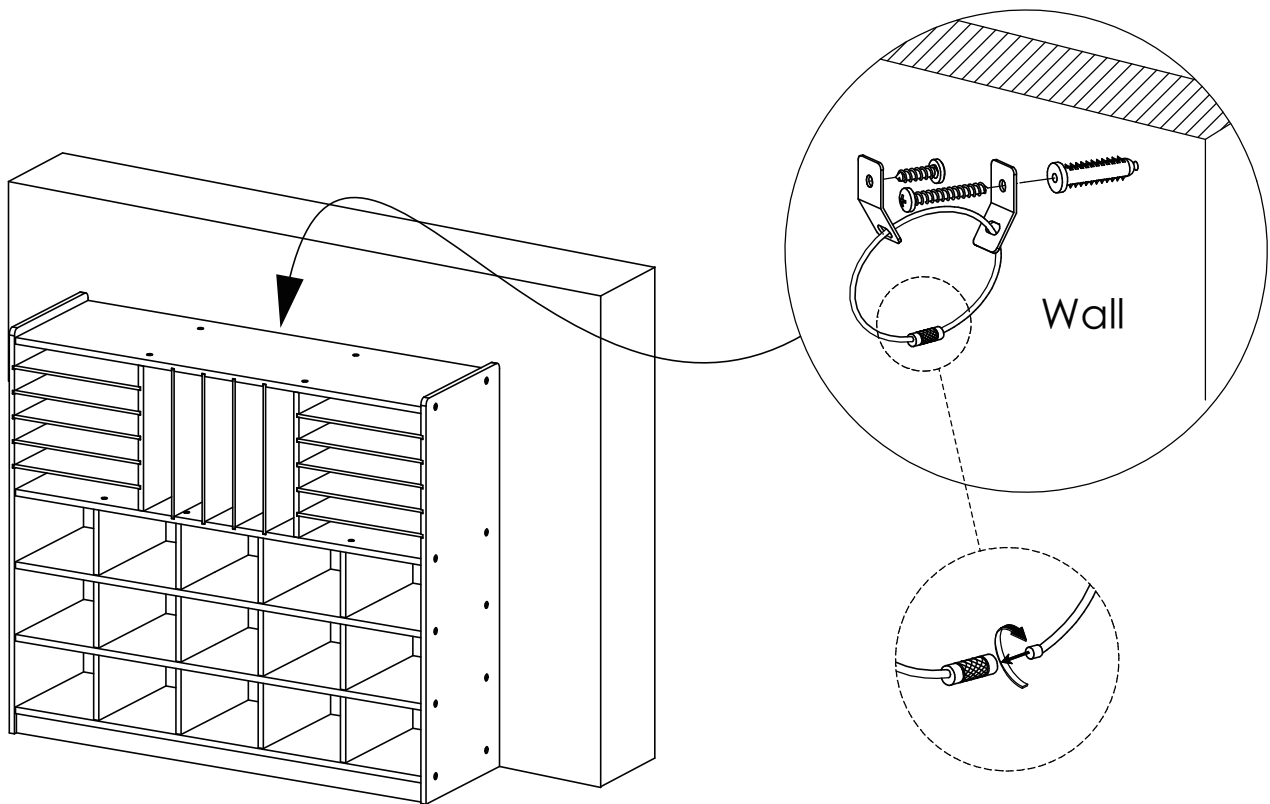
- The sharp tip of screws may scratch hands.
- Tighten all screws before use.
- Do not OVER tighten screws.
- Electric screwdrivers should NOT be used for assembly.
- Be sure to remove packaging, all rubber bands, wire ties and tags or fastenings from the product. They are not part of this product and must be removed and discarded before use.

Keep this packaging for future reference since it contains important information. Adult assembly required. Read enclosed instructions before use. SPECIFICATIONS, COLORS AND CONTENTS MAY VARY FROM ILLUSTRATIONS. Young children in play are unaware of potential dangers and hazards, therefore responsible adult supervision is essential.

ASSEMBLY INSTRUCTIONS

Mobile Multi Section Storage Unit

Assemble by matching Parts & Hardware List letter identifiers and quantities with Assembly Diagrams.



Attention!

- The sharp tip of screws may scratch hands.
- Tighten all screws before use.
- Do not OVER tighten screws.
- Electric screwdrivers should NOT be used for assembly.
- Be sure to remove packaging, all rubber bands, wire ties and tags or fastenings from the product. They are not part of this product and must be removed and discarded before use.

Keep this packaging for future reference since it contains important information. Adult assembly required. Read enclosed instructions before use. SPECIFICATIONS, COLORS AND CONTENTS MAY VARY FROM ILLUSTRATIONS. Young children in play are unaware of potential dangers and hazards, therefore responsible adult supervision is essential.