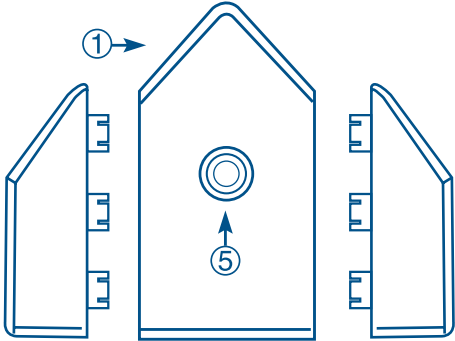


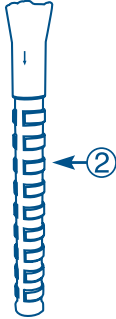


T-Ball Set

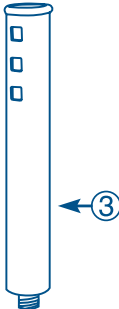
Here's What You Get!



1 Home Plate (3 sections)



1 Tee



1 Tube



3 Baseballs

1 Foam Bat



1 Base Screw



1. Take the 3 sections of home plate (1) and snap together to form 1 piece.

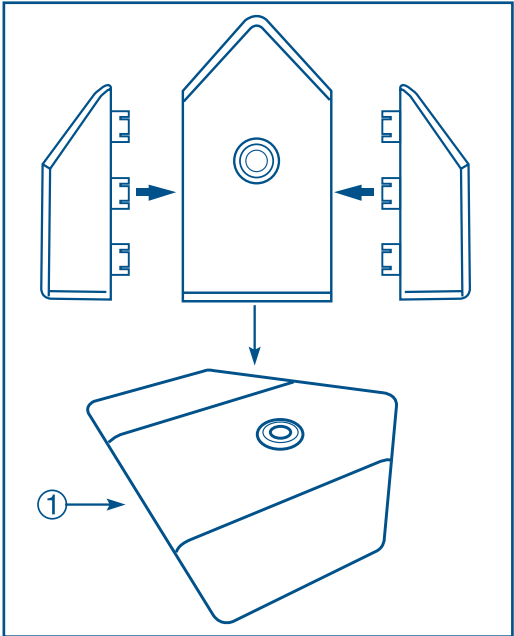


Figure 1

2. Fit the base screw (4) into the bottom of home plate base hole (5).

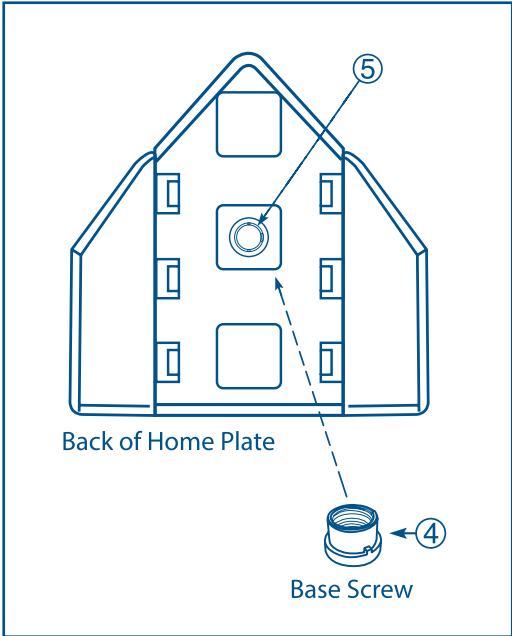


Figure 2

Adult Assembly Required.

- Slide tube (3) into base screw (4)/ base hole (5). Make sure the base is planted firmly on the ground.

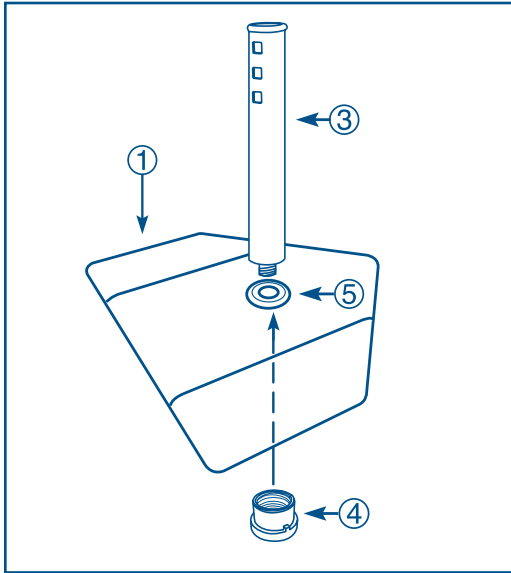


Figure 3

- Adjust the tee height by unlocking and sliding tee (2) up or down.

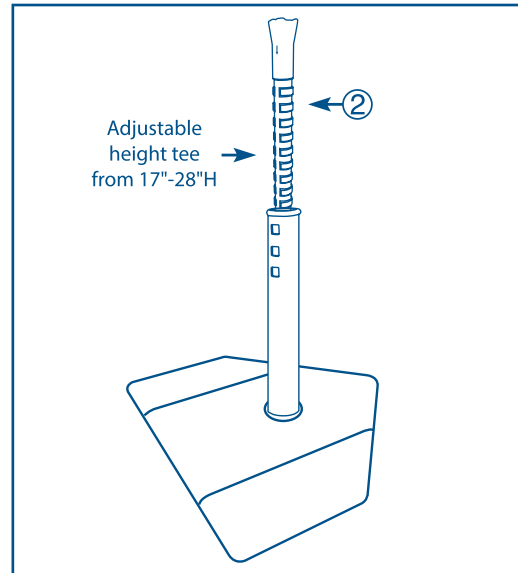


Figure 5

- Take tee (2) and insert into tube (3), rotate tee (2) and lock inside the tube (3).

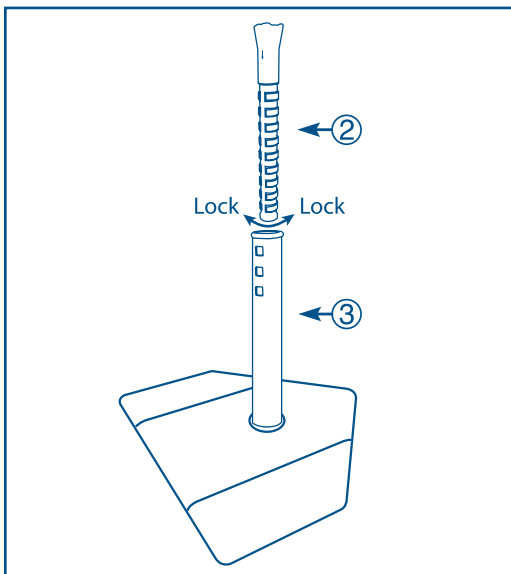


Figure 4