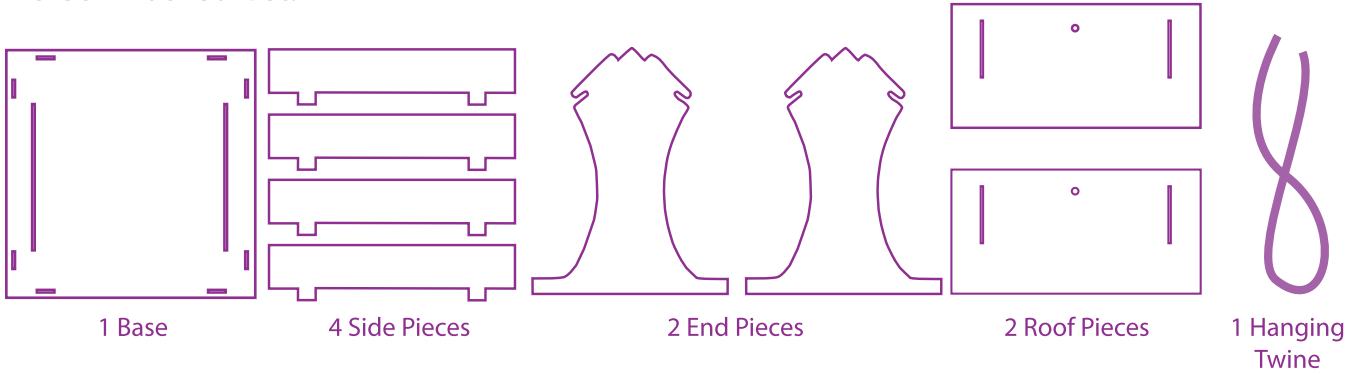




Build Your Own Bird Feeder

Here's What You Get!



1. Insert the side pieces into the base from the bottom.

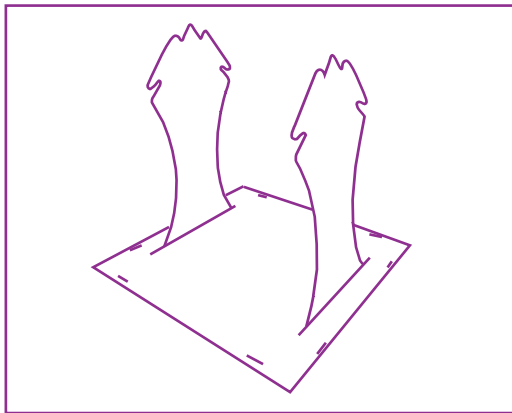


Figure 1

2. Slide one roof piece onto the end piece and string the twine through the hole.

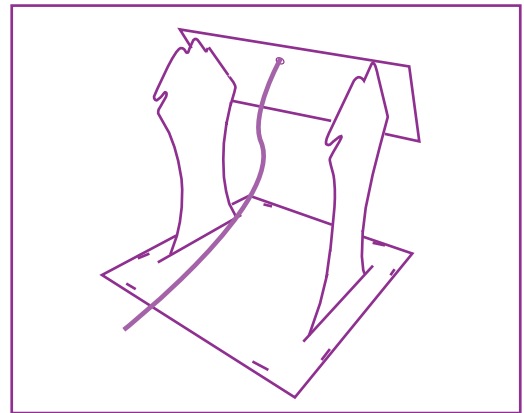


Figure 2

Build Your Own Bird Feeder (continued)

- String the twine through the hole on the other roof piece. Slide the roof piece onto the side pieces.

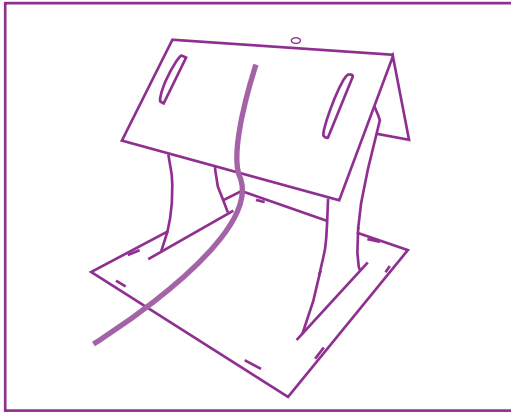


Figure 3

- Pull up on the twine and tie a knot to lock the roof in place. Insert the side pieces into the slots on the base.

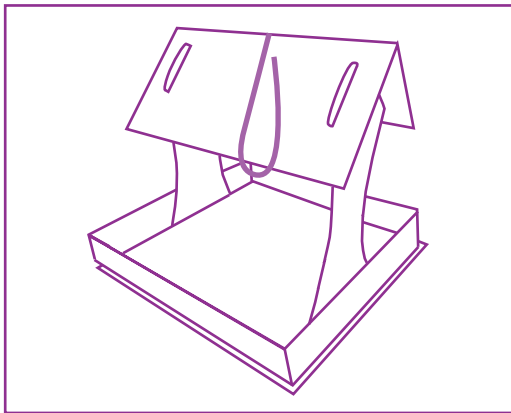


Figure 4

- Decorate your bird feeder, fill it with seeds, and hang it outside. Watch the birds visit!

Note: To make your bird feeder extra-sturdy, add a bit of wood glue where the pieces join together. For added durability, spray the decorated bird feeder with clear acrylic coating.

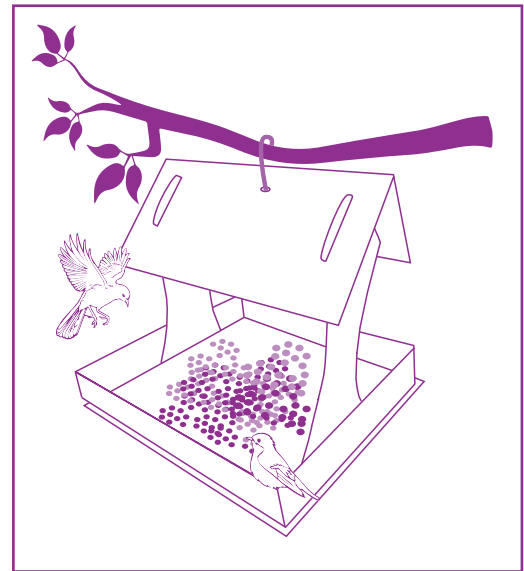


Figure 5