



**WARNING: Serious or fatal crushing injuries can occur from furniture tip-over. To help prevent tip-over:**

- Always place heaviest items on the bottom shelves.
- Never allow children to climb shelves.

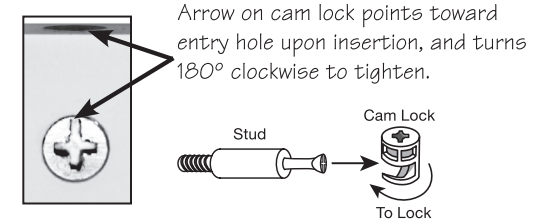
The use of tip-over restraints may only reduce, but not eliminate, the risk of tip-over.

Congratulations on your purchase of this 27 Slot Mail and Supplies Center with 6 Cubbies.  
(Adult assembly required)

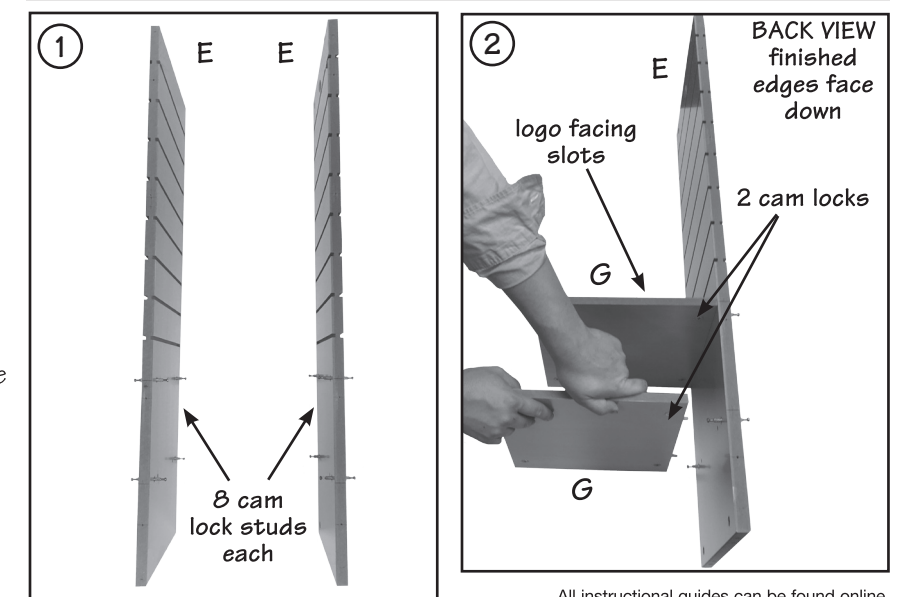
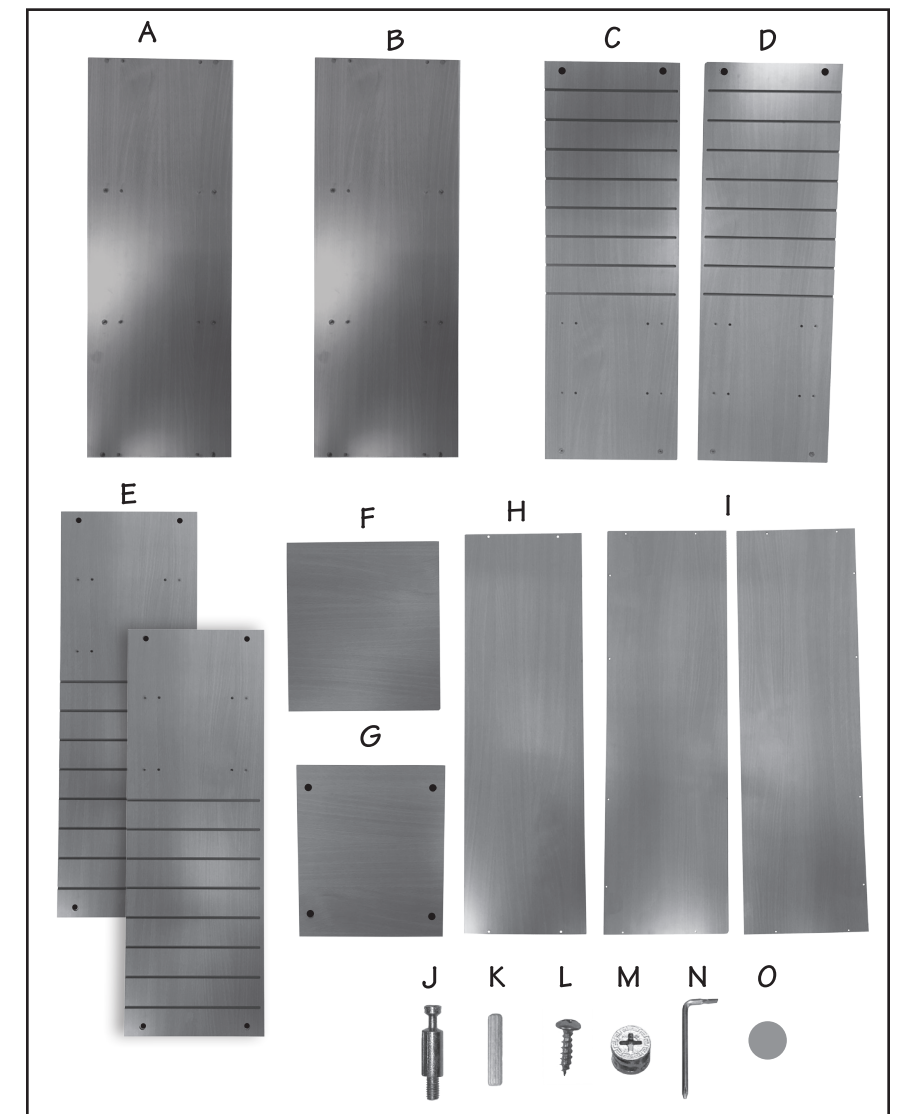
This Really Good Stuff® product includes:

- A – Top panel
- B – Bottom panel
- C – Left side panel
- D – Right side panel
- E – 2 Center dividers
- F – 24 Shelves
- G – 6 Lower shelves (1 with logo)
- H – Back center panel
- I – 2 Back side panels
- J – 40 Cam lock studs
- K – 40 Wood pegs
- L – 28 Screws
- M – 40 Cam locks
- N – Assembly tool
- O – 42 Hole covers

You may also have received a spare part of each piece of hardware.



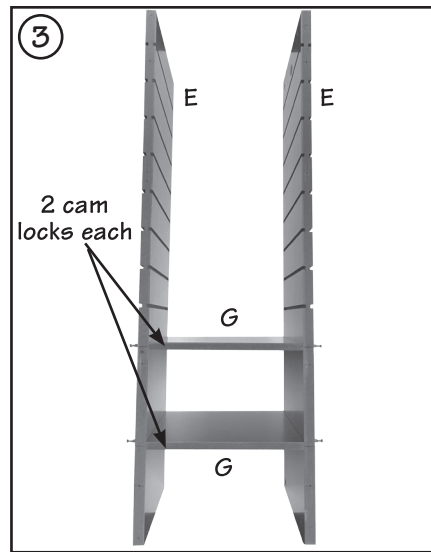
- 1 Install 8 cam lock studs J each into the plastic threaded holes of the center dividers E, 4 on each side.
- 2 Insert 4 wood pegs K into the interior holes of the lower shelf G with the logo. With the finished edges facing down, attach the shelf to the middle studs of the center divider E, making sure the logo faces the grooved slots. Insert 2 cam locks M in the holes where the pieces connect and turn to secure. Attach another lower shelf G to the other studs on the center divider E, making sure the finished edge faces down. Insert 2 cam locks M in the holes and turn to secure.



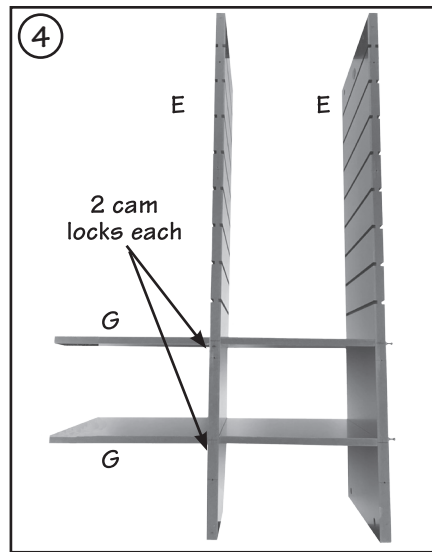
All instructional guides can be found online.

27 Slot Mail and Supplies Center with 6 Cubbies Assembly Instructions

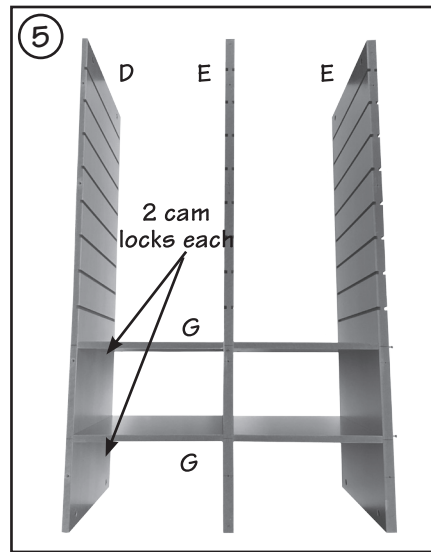
3 Connect the other center divider **E** to the 2 lower shelves **G**. Insert 2 cam locks **M** in each shelf in the holes where they meet and turn to secure.



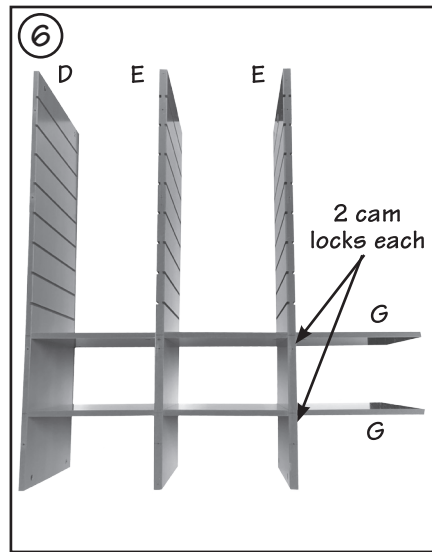
4 Insert 4 wood pegs **K** into the interior holes of 2 lower shelves **G**. With the finished edges facing down, attach the shelves to the studs on the outside of the center divider on the left. Insert 2 cam locks **M** in each shelf in the holes where they meet and turn to secure.



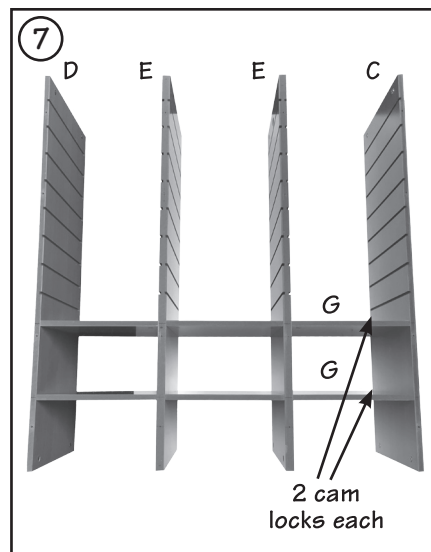
5 Install 4 cam lock studs **J** into the plastic-lined holes of the right side panel **D**. Connect it to the lower shelves on the left side of the assembled unit. Insert 2 cam locks **M** in each shelf in the holes where they meet and turn to secure.



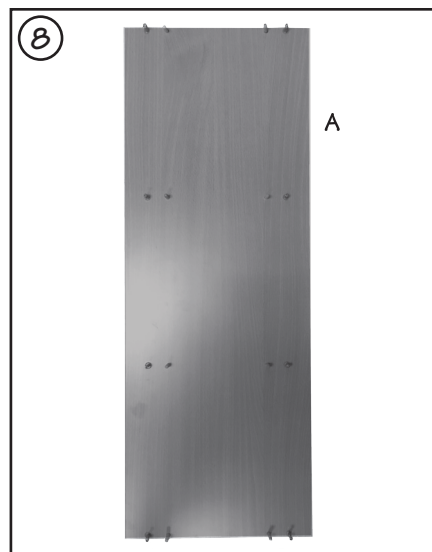
6 Insert 4 wood pegs **K** into the interior holes of the 2 remaining lower shelves **G**. With the finished edges facing down, attach the shelves to the studs on the outside of the center divider on the right. Insert 2 cam locks **M** in each shelf in the holes where they meet and turn to secure.



7 Install 4 cam lock studs **J** into the plastic-lined holes of the left side panel **C**. Connect it to the lower shelves on the right side of the assembled unit. Insert 2 cam locks **M** into the lower shelves in the holes where they meet and turn to secure.

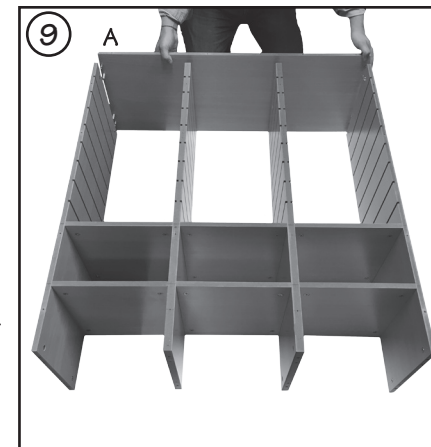


8 Locate the top panel **A** and install 8 cam lock studs **J** into the plastic-lined holes and 8 wood pegs **K** into the remaining holes.

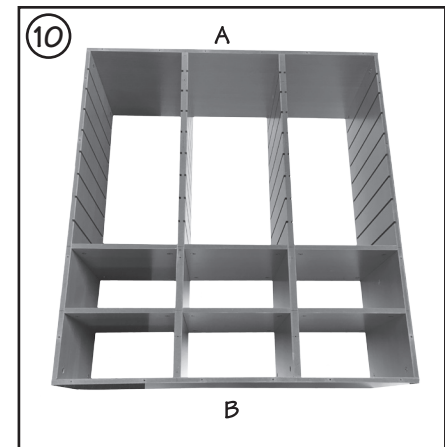


27 Slot Mail and Supplies Center with 6 Cubbies Assembly Instructions

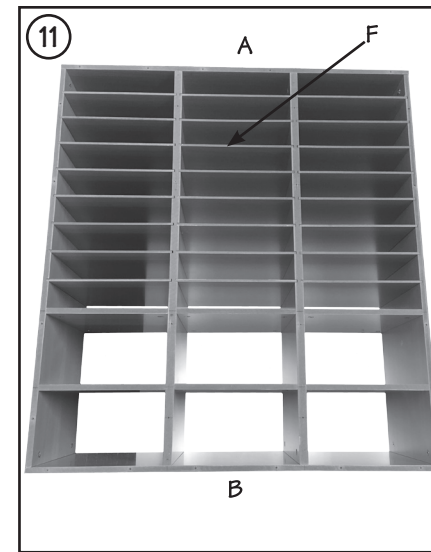
9 With the finished edge facing down, connect the top panel **A** to the slot-end of the unit. Insert 8 cam locks **M** in the holes where the pieces meet and turn to secure.



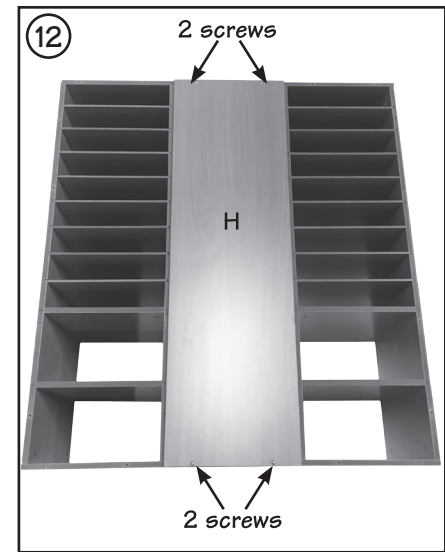
10 Locate the bottom panel **B** and install 8 cam lock studs **J** into the plastic-lined holes and 8 wood pegs **K** into the remaining holes. Connect the panel to the other side of the unit. Insert 8 cam locks **M** in the holes where the pieces meet and turn to secure.



11 With the finished edges facing down, slide the 24 shelves **F** into the slots.



12 Attach the back center panel **H** to the middle of the unit with 4 screws **L**, 2 at each end.



13 Attach the 2 back side panels **I** with 8 screws **L** each, making sure the edges with the holes for the screws are on the outside. Then install 4 screws **L** in the predrilled holes in the middle.

14 Place unit upright so that cubbies are at the bottom. Place hole covers on as desired.

