

Really Good Stuff® Activity Guide

Really Good Desktop Classroom-Papers Organizer™

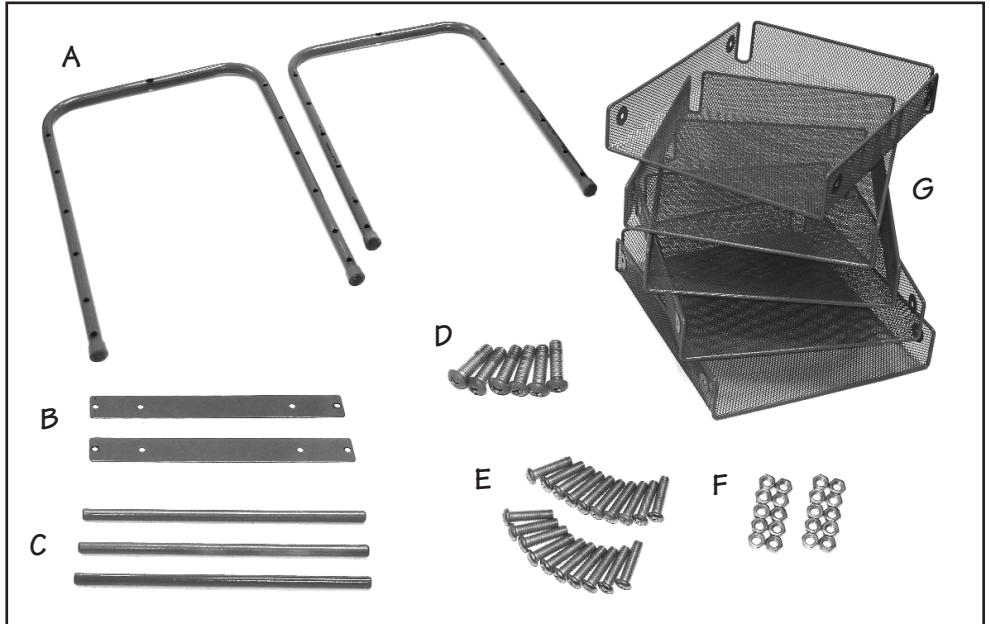
Congratulations on your purchase of this **Really Good Desktop Classroom-Papers Organizer™**.

Before you begin, please refer to the Parts List to ensure that all materials needed for assembly have been received. You will need a Phillips Screwdriver and may need Pliers for assembly.

This Really Good Stuff® product includes:

- A – 2 Side frames
- B – 2 Side bars
- C – 3 Connecting rods
- D – 6 Large bolts for connecting rods
- E – 20 Bolts
- F – 20 Nuts
- G – 5 Baskets

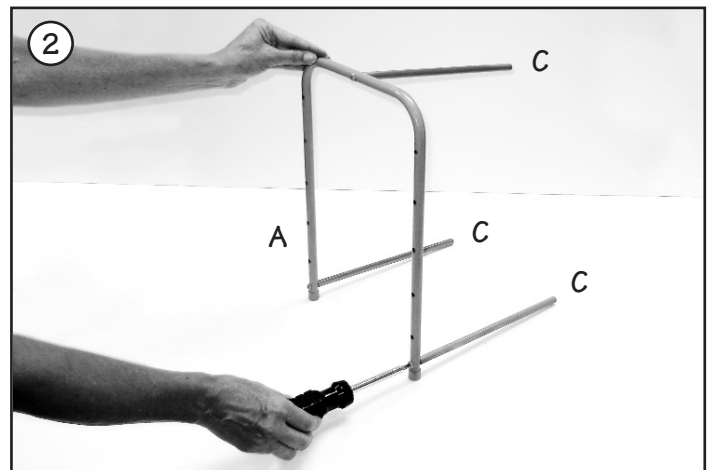
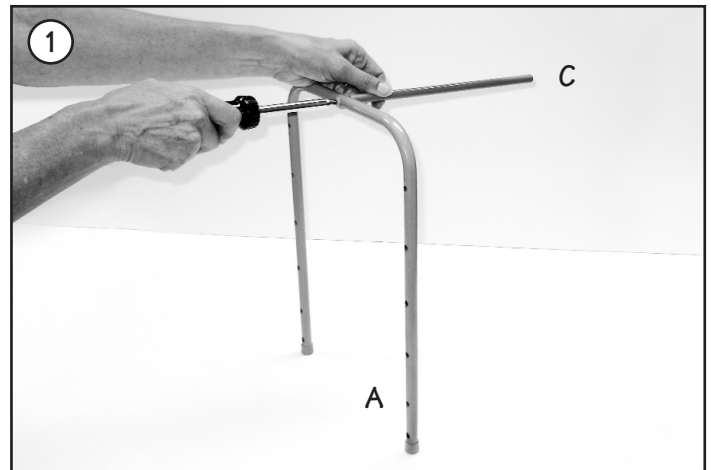
You may also have received one spare nut and bolt.



To assemble this Really Good Desktop Classroom-Papers Organizer™:

CONNECTING RODS:

1. Attach one connecting rod **C** to top of one side frame **A** by using a large bolt through the center hole at the top of the side frame.
2. Attach other 2 connecting rods **C** to bottom of the same side frame **A** by using a large bolt through the bottommost holes on both legs of the side frame.



Really Good Stuff® Activity Guide

Really Good Desktop Classroom-Papers Organizer™

BASKETS:

3. Starting with the bottom basket **G**, attach it to the side frame legs **A** by placing a bolt through each of the bottommost leg holes through holes in basket. Secure loosely with nuts. Make sure all baskets face the same way.
4. For top basket **G**, add metal bar **B** to the outside of the frame and then continue as in previous step to secure basket.

SIDE FRAME:

5. Attach other side frame **A** to connecting rods **C** and baskets **G** with bolts and nuts.
6. For top basket **G**, add metal bar **B** to the outside of the frame.
7. Attach connecting rod **C** to top of side frame **A** using a large bolt through the center hole at the top of the side frame. Tighten all bolts to secure.

