

Universal Basket and Bin Label Holder Refill Label

Congratulations on your purchase of this Really Good Stuff® **Universal Basket and Bin Label Holder Refill Label**. You may download the printing template from our Web site at www.reallygoodstuff.com.

Before you begin, please note:

- Do not perf the sheet of 8 labels apart.
- The sheet is shorter than a standard letter size paper.

Be sure your printer accepts paper smaller than 8.5" x 11" or set up a custom size paper size for 8.5" x 9.25" in your page setup.

- The sheet has a top and a bottom. The taller color border is the bottom.

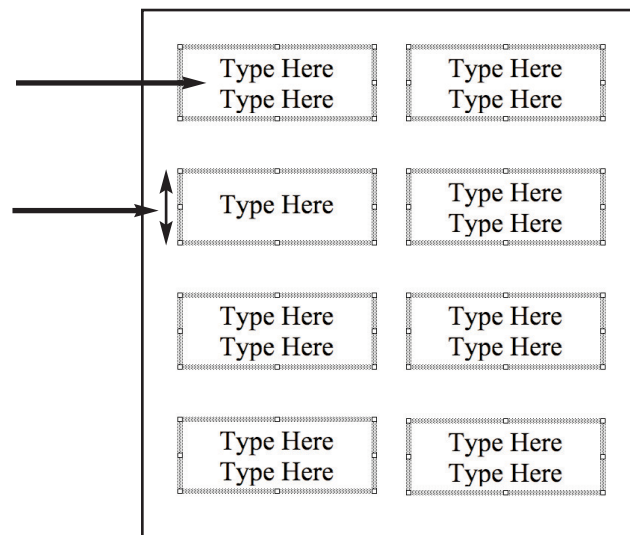
Label Sheet



The template:

- Open the template in Microsoft Word.
- Highlight and type over the two lines of words in each text box of the template. (There are 8 – one for each label.) Keep text inside the space allotted.
- If you want only one line of words, you may want to re-format the text so it is centered vertically in the text box.
- Change your font or type size as desired, but keep the text box in the same position.

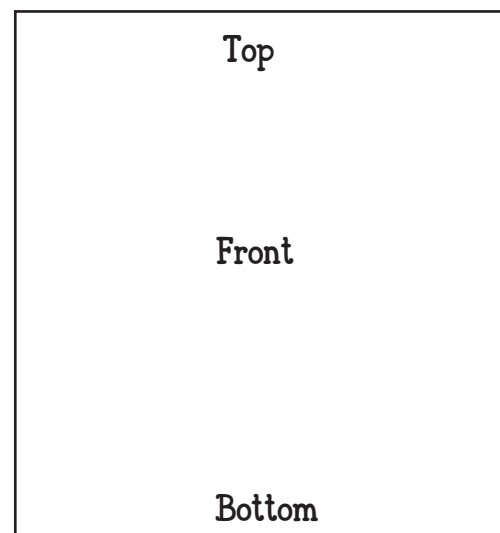
Printing Template



Print a test first:

- Cut a blank sheet of paper to the same size as the sheet of labels – 8.5" x 9.25"
- Mark it for top and bottom, and for front and back.
- You can use your manual feed.
- **Depending on your own printer, you may need to turn the sheet around or over for it to print correctly.**
- Print a test, and adjust your test paper or template as needed.

Test Sheet:



Print with your template and label sheet:

- Place your label sheet in the printer in the pre-determined correct way, and send your file to print!
- Carefully perf apart your labels.